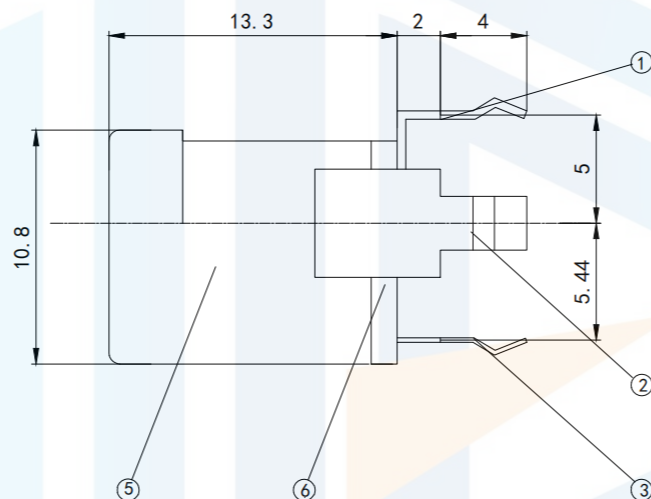
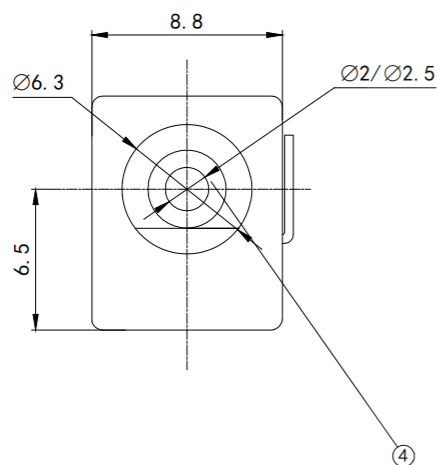
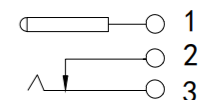
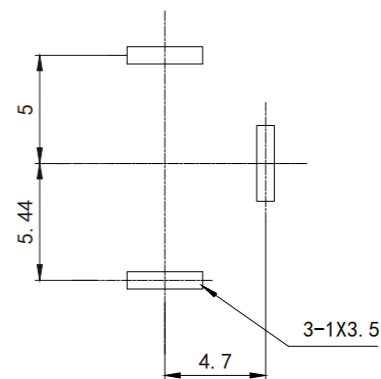


RoHS2.0
Compliant



Printed circuit board cut-out ruler



CIRCUIT DIAGRAM

Main technical requirements:

1. No Linear Tolerance:

- 0.0-10.0mm ±0.10mm
- 10.0-20.0mm ±0.15mm
- 20.0-50.0mm ±0.20mm

2. The appearance should be good, without rust, cracks, poor electroplating and other phenomena.

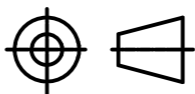
Technical requirements

- 1. Rated load: DC 50V 0.2A
- 2. Contact resistance: $\leq 0.03 \Omega$
- 3. Insulation resistance: $\geq 100 \Omega$ DC250V
- 4. Withstand voltage: AC 500V (50Hz)/min
- 5. Insertion force: 3~20N
- 6. Mechanical life: 5000 times

TOLERANCE

X. XXX	±0.05
X. XX	±0.15
X. X	±0.20
X.	±0.30
ANGLE	±5.0°

PROTECTON



东莞市恒祺电子科技有限公司

Dongguan Hengqi Electronic Technology Co., Ltd

<https://www.hq-dz.com>

phone:15812872448

TITLE:

DC电源插座

PART NO:DC-013

DRAWING NO:13.3*8.8*10.8

DRAWN:

DATE: 18-10-08

UNIT:
mm

CHECKED:

DATE: 18-10-08

SCALE:
FULL

APPROVED:

DATE: 18-10-08

SIZE:
A4