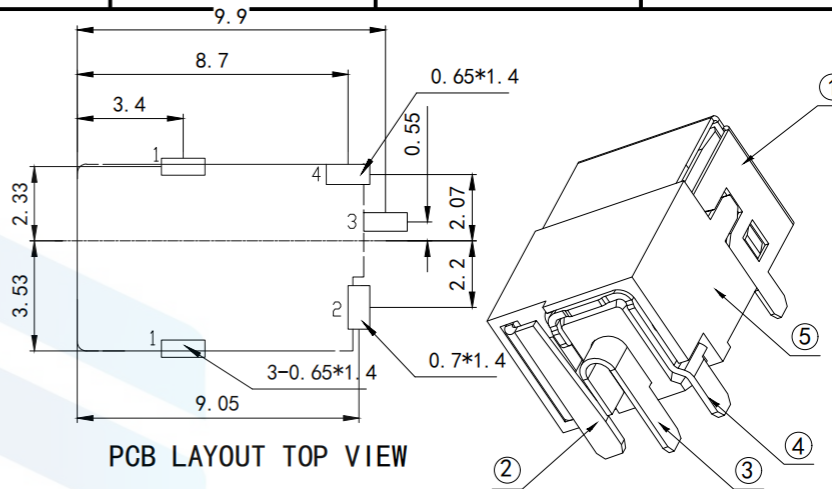
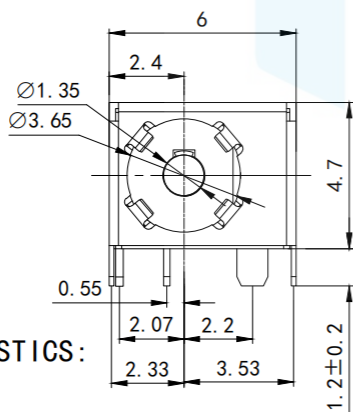
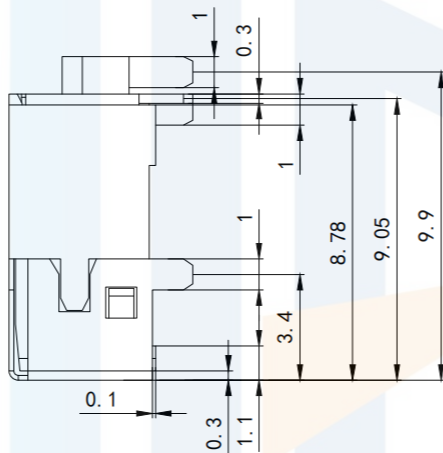
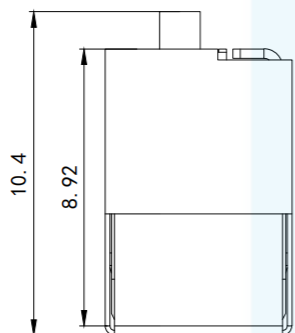
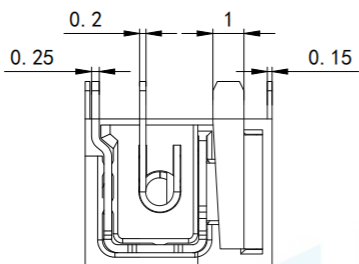
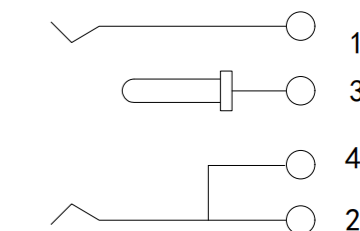
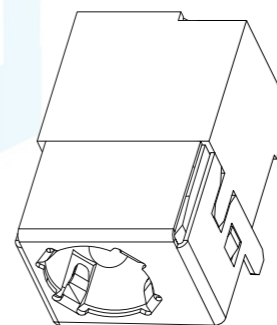


RoHS2.0
Compliant



PCB LAYOUT TOP VIEW



CIRCUIT DIAGRAM

SPECIFICATIONS:

1. ELECTRICAL CHARACTERISTICS:

1-1: RATING:

1-2 CONTACT RESISTANCE: 30Ω MAX. (INITIAL)

1-3. DIELECTRIC WITHSTANDING VOLTAGE: 500V AC FOR ONE MINUTE

1-4. INSULATION RESISTANCE: 100MΩ MIN. MEASURED BY 500V DC

2. MECHANICAL CHARACTERISTICS:

2-1. INSERTION FORCE : 0.3~3.0 KGF

2-2. WITHDRAWAL FORCE : 0.3~3.0 KGF

3. LIFE TEST: 5,000 CYCLES MIN.

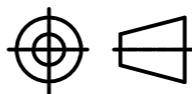
4. FOR REFLOW SOLDERING LEAD-FREE PROCESS

5. REPRESENT CRITICAL DIMENSIONS.

TOLERANCE

X. XXX	±0.05
X. XX	±0.15
X. X	±0.20
X.	±0.30
ANGLE	±5.0°

PROTECTON



东莞市恒祺电子科技有限公司
Dongguan Hengqi Electronic Technology Co., Ltd

<https://www.hq-dz.com>

phone: 15812872448

TITLE:
DC电源插座

PART NO: DC-009E
DRAWING NO: 9.96*4.7

DRAWN:	DATE:	18-10-08	UNIT:	mm
CHECKED:	DATE:	18-10-08	SCALE:	FULL
APPROVED:	DATE:	18-10-08	SIZE:	A4