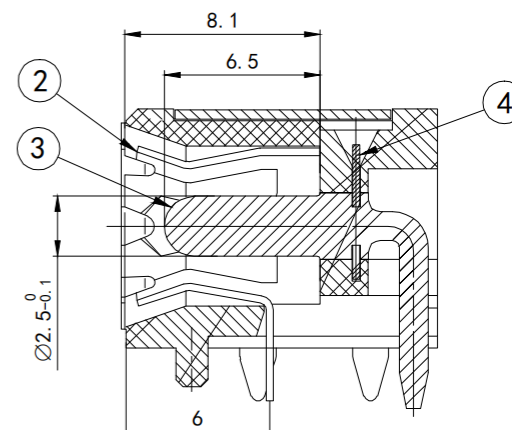
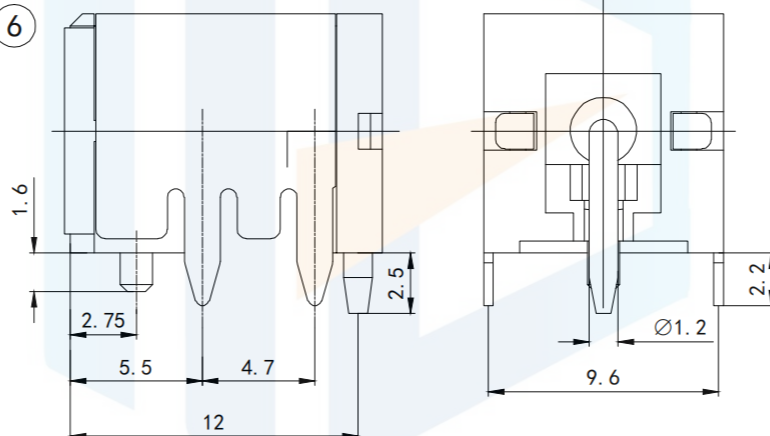
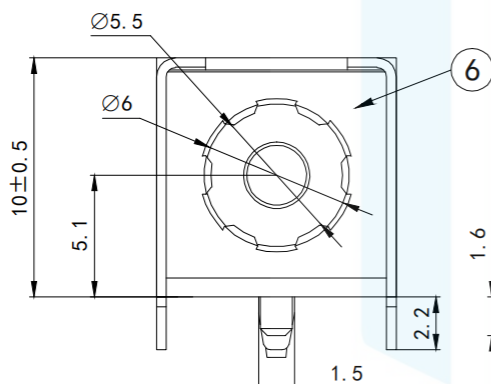
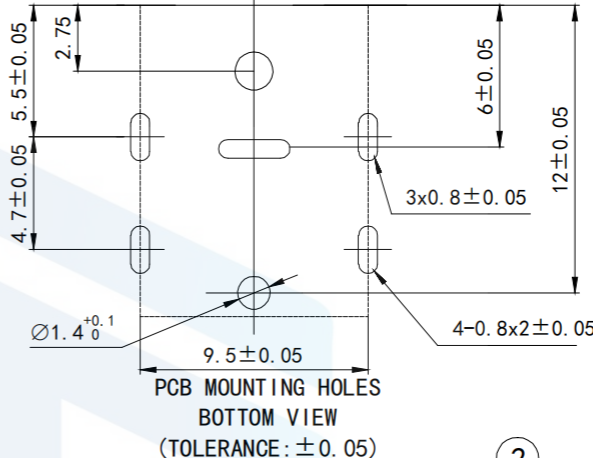
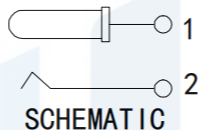
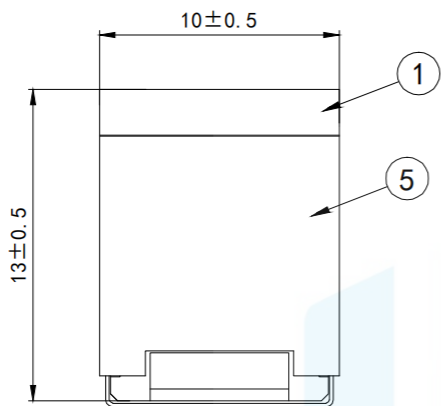
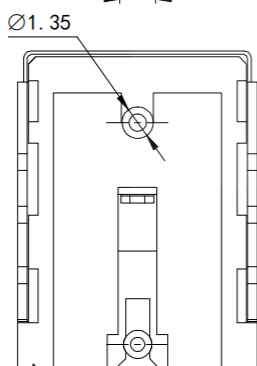


RoHS2.0
Compliant



ANGULAR	±5°
16<L≤63	±0.4
4<L≤16	±0.3
L≤4	±0.2
UNSPRIFIED TOLERANCE	



ELECTRICAL
 VOLTAGE RATING: 20V DC (R. M. S)
 CURRENT RATING: 10A
 CONTACT RESISTANCE: 30 Ω MAX
 INSULATION RESISTANCE: 100 M MIN
 DIELECTRIC WITHSTAND VOLTAGE: 500V AC (R. A. M)
 TEMPERATRUE RANGE: -25° C TO +85° C
 MATERIALS & PLATING: SEE THE TABLE BELOW.

TOLERANCE X. XXX ±0.05 X. XX ±0.15 X. X ±0.20 X. ±0.30 ANGLE ±5.0°		东莞市恒祺电子科技有限公司 Dongguan Hengqi Electronic Technology Co., Ltd	
		https://www.hq-dz.com phone: 15812872448	
PROTECTON 	DRAWN: CHECKED: APPROVED:	TITLE: DC电源插座	
		PART NO: DC-007B	
		DRAWING NO: 13*10*10	
	DRAWN:	DATE: 18-10-08	UNIT: mm
	CHECKED:	DATE: 18-10-08	SCALE: FULL
	APPROVED:	DATE: 18-10-08	SIZE: A4