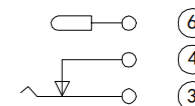
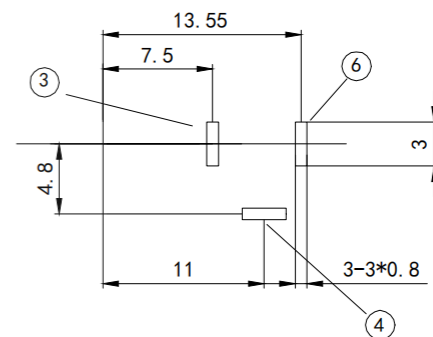
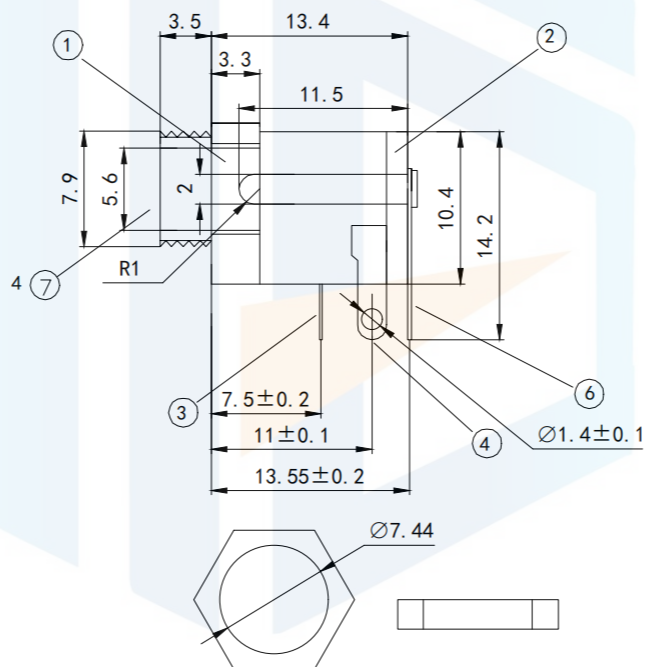
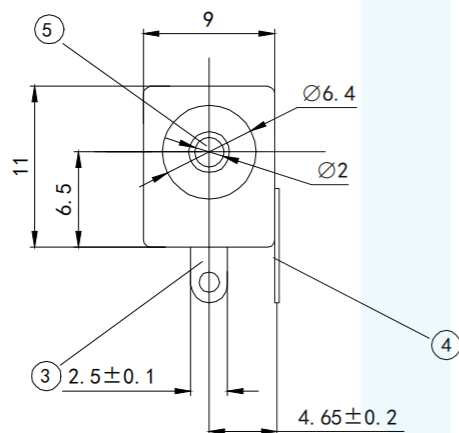

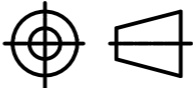


RoHS2.0  
Compliant



Technical requirements  
 Use conditions:  $-40\sim 55^{\circ}\text{C}$   
 Rated load: DC 30V 0.5A  
 Contact resistance:  $\leq 0.03\ \Omega$   
 Insulation resistance:  $\geq 100\ \Omega$  DC250V  
 Withstand voltage: AC 500V (50Hz)/min  
 Insertion force: 3~20N  
 Mechanical life: 5000 times

TOLERANCE	X. XXX	$\pm 0.05$		东莞市恒祺电子科技有限公司 Dongguan Hengqi Electronic Technology Co., Ltd		
	X. XX	$\pm 0.15$		<a href="https://www.hq-dz.com">https://www.hq-dz.com</a> phone:15812872448		
X. X	$\pm 0.20$		TITLE: DC电源插座		PART NO:DC-005M	
X.	$\pm 0.30$				DRAWING NO:13.4*11*9	
ANGLE	$\pm 5.0^{\circ}$		DRAWN:		DATE: 18-10-08	
PROTECTON 			CHECKED:		DATE: 18-10-08	
			APPROVED:		DATE: 18-10-08	
					UNIT: mm	
					SCALE: FULL	
					SIZE: A4	