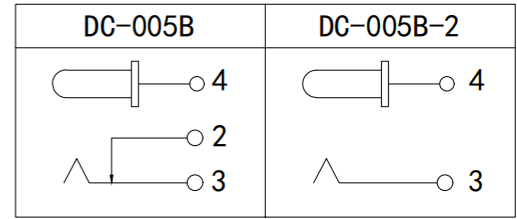
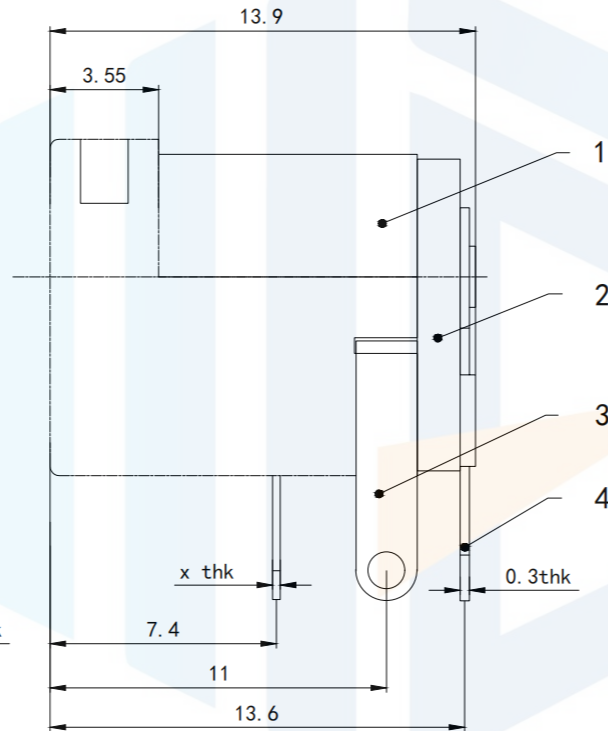
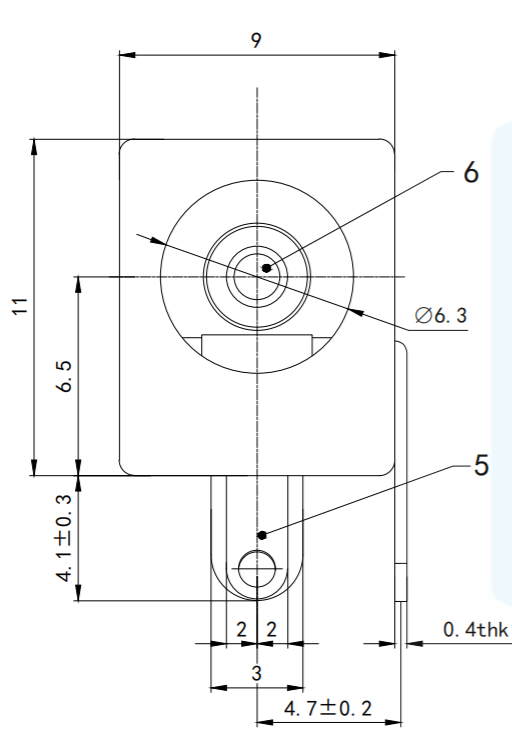
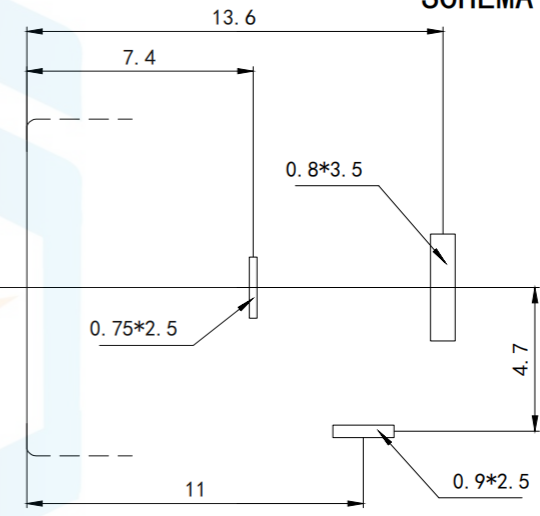


RoHS2.0
Compliant



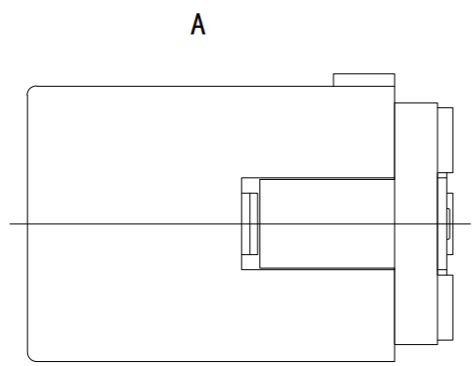
SCHEMATIC



P. C. B LAYOUT

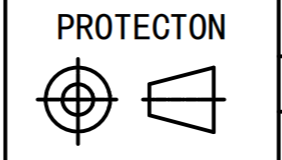
MATAL	X	
SUS	0.2mm	
PBS	0.25mm	

PIN	Ø2.0	Ø2.5
APPD	✓	



TOLERANCE

X. XXX	±0.05
X. XX	±0.15
X. X	±0.20
X.	±0.30
ANGLE	±5.0°



	东莞市恒祺电子科技有限公司	
	Dongguan Hengqi Electronic Technology Co., Ltd	

<https://www.hq-dz.com> phone:15812872448

TITLE: DC电源插座 PART NO:DC-005B

DRAWING NO:13.9*9*11

DRAWN:		DATE:	18-10-08	UNIT:	mm
CHECKED:		DATE:	18-10-08	SCALE:	FULL
APPROVED:		DATE:	18-10-08	SIZE:	A4