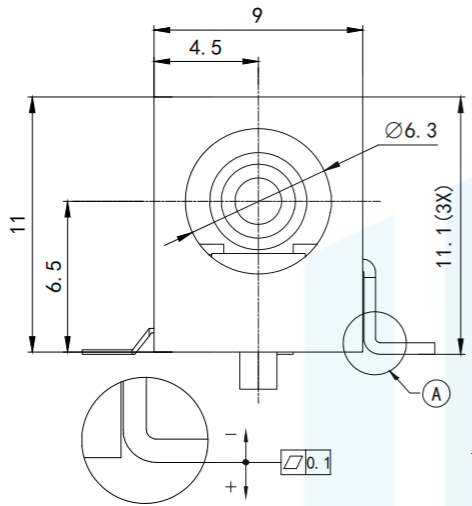
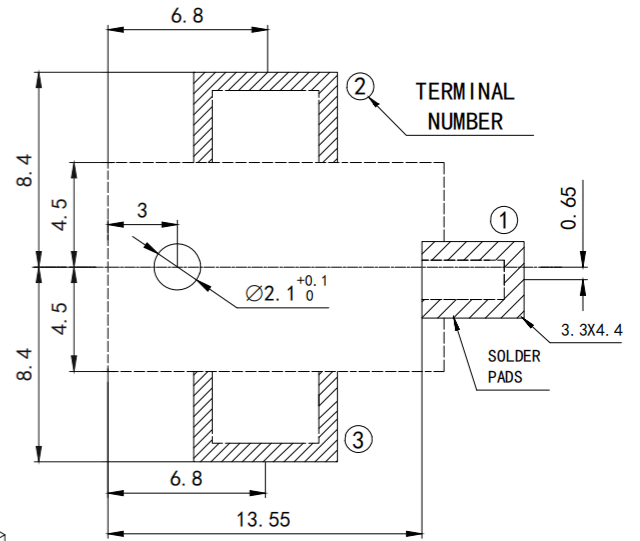
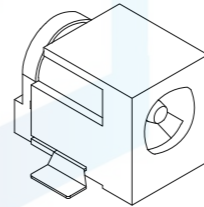
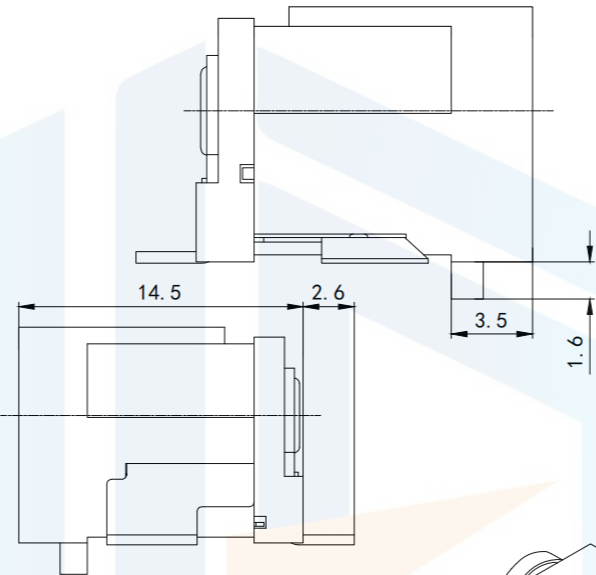
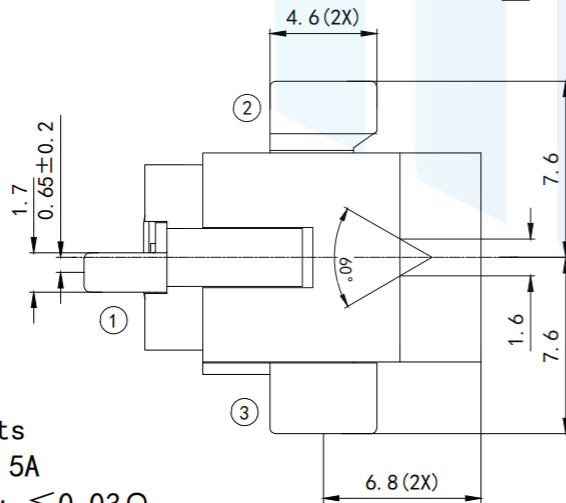


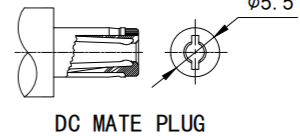
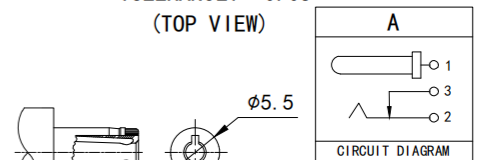
RoHS2.0
Compliant



A DETAIL COPLANARITY



RECOMMENDED P. C. B. LAYOUT
TOLERANCE: ±0.05
(TOP VIEW)



MODEL NO.	H	J
CENTER PIN	Ø2.0mm	Ø2.5mm

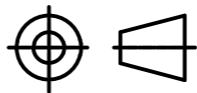
Technical requirements

- Rated load: DC 16V 5A
- Contact resistance: $\leq 0.03 \Omega$
After test: $\leq 50m\Omega$
- Insulation resistance: $\geq 100 \Omega$ DC250V
After test: $\geq 50m\Omega$
- Withstand voltage: 500VAC
- Insertion force: 3-30N
- Mechanical life: 5000 times
- Operation temperature range: $-20^{\circ}\text{C} \sim 70^{\circ}\text{C}$

TOLERANCE

X. XXX	±0.05
X. XX	±0.15
X. X	±0.20
X.	±0.30
ANGLE	±5.0°

PROTECTON



东莞市恒祺电子科技有限公司
Dongguan Hengqi Electronic Technology Co., Ltd

<https://www.hq-dz.com>

phone: 15812872448

TITLE:

DC电源插座

PART NO: DC-088D

DRAWING NO: 14.5*9*11

DRAWN:

DATE:

18-10-08

UNIT:
mm

CHECKED:

DATE:

18-10-08

SCALE:
FULL

APPROVED:

DATE:

18-10-08

SIZE:
A4