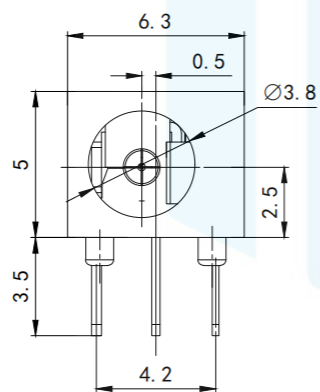
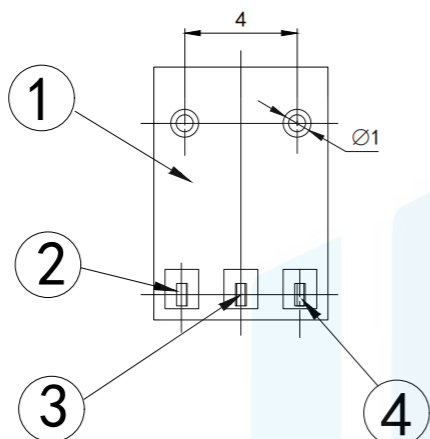
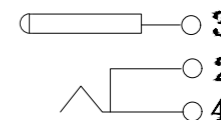
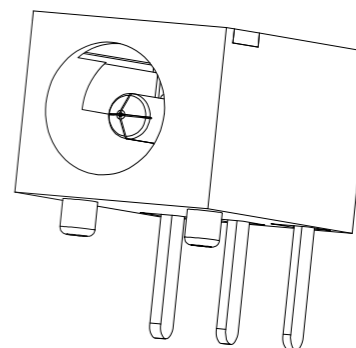
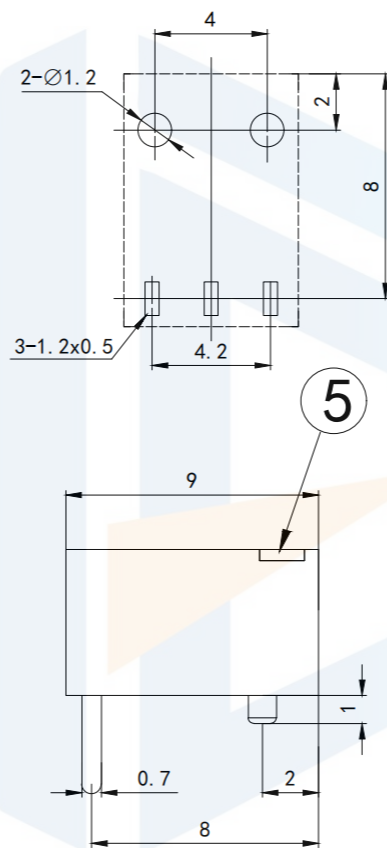


RoHS2.0
Compliant



The size of the circuit board cutout

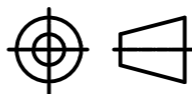


Technical requirements
 Rated load: DC 30V 0.5A
 Contact resistance: $\leq 0.03 \Omega$
 Insulation resistance: $\geq 100 \Omega$
 Withstand voltage: AC 500V (50Hz)/min
 Insertion force: 3~20N
 Mechanical life: 5000 times

TOLERANCE

X. XXX	± 0.05
X. XX	± 0.15
X. X	± 0.20
X.	± 0.30
ANGLE	$\pm 5.0^\circ$

PROTECTON



东莞市恒祺电子科技有限公司

Dongguan Hengqi Electronic Technology Co., Ltd

<https://www.hq-dz.com>

phone: 15812872448

TITLE:

DC电源插座

PART NO: DC-003

DRAWING NO: 9*6.3*5

DRAWN:

DATE:

18-10-08

UNIT:
mm

CHECKED:

DATE:

18-10-08

SCALE:
FULL

APPROVED:

DATE:

18-10-08

SIZE:
A4