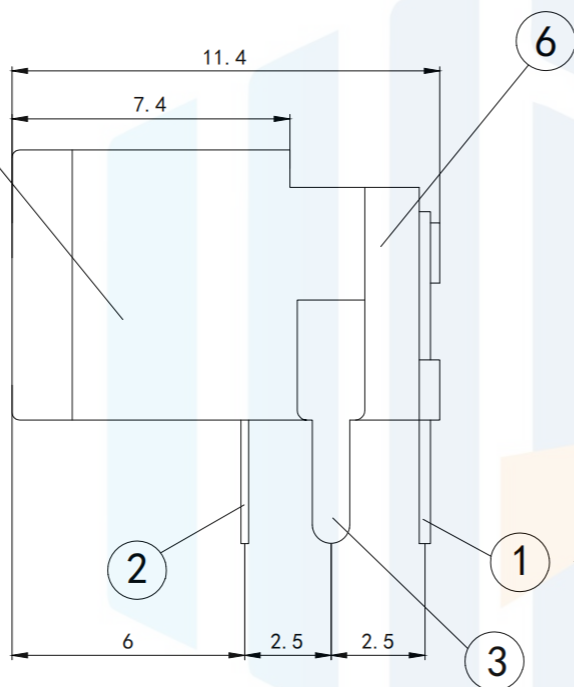
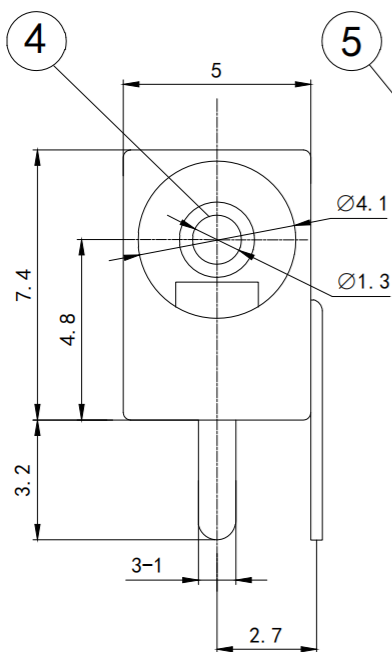
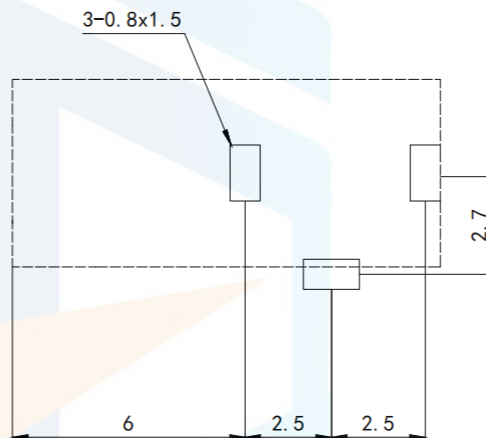


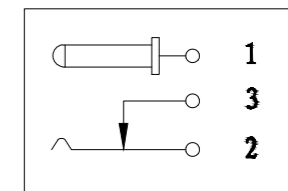
RoHS2.0
Compliant



Schematic diagram of the installation dimensions of the circuit board


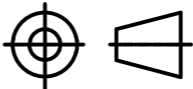


Schematic diagram of the circuit structure



TOLERANCE: UNLESS OTHERWISE SPECIFIED		
UNOER 1.5±0.05	1.5~10±0.1	OVER 10±0.2

Technical requirements
 Use conditions: -40~55° C
 Rated load: DC 30V 0.5A
 Contact resistance: ≤0.03 Ω
 Insulation resistance: ≥100 Ω DC250V
 Withstand voltage: AC 500V (50Hz)/min
 Insertion force: 3~20N
 Mechanical life: 5000 times

TOLERANCE X. XXX ±0.05 X. XX ±0.15 X. X ±0.20 X. ±0.30 ANGLE ±5.0°		东莞市恒祺电子科技有限公司 Dongguan Hengqi Electronic Technology Co., Ltd		
		https://www.hq-dz.com phone: 15812872448		
PROTECTON 	TITLE: DC电源插座		PART NO: DC-002	
	DRAWN:		DRAWING NO: 11.4*7.4*5	
	CHECKED:	DATE: 18-10-08	UNIT: mm	SCALE: FULL
APPROVED:	DATE: 18-10-08	DATE: 18-10-08	SIZE: A4	