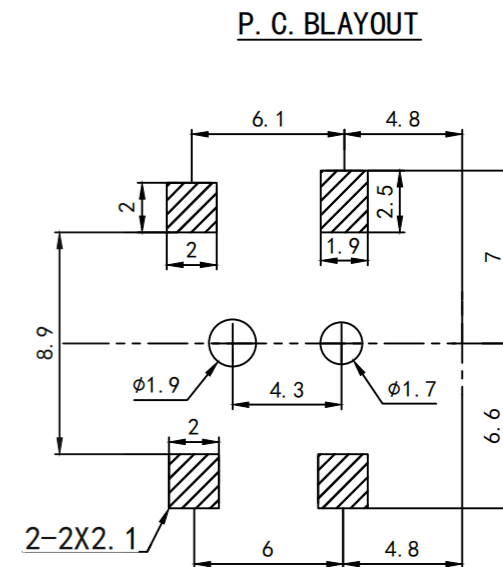
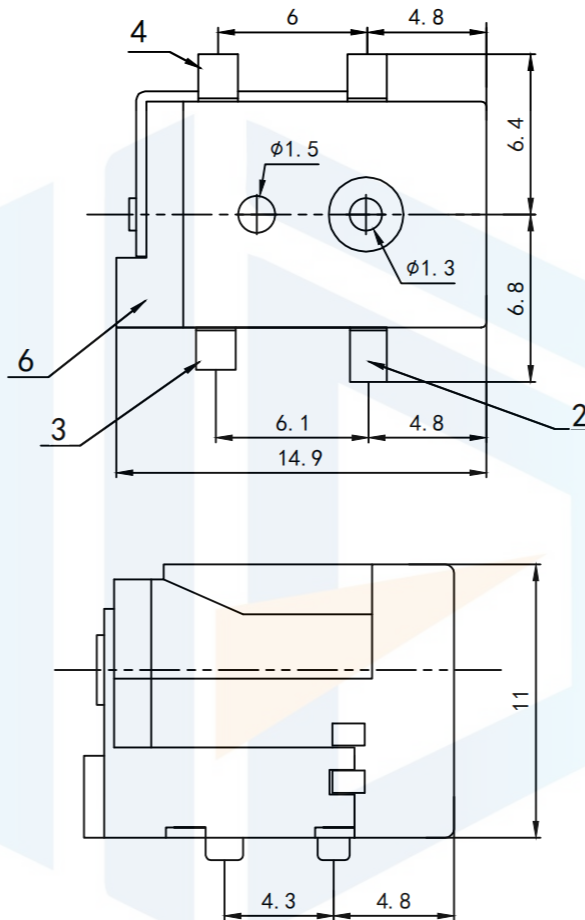
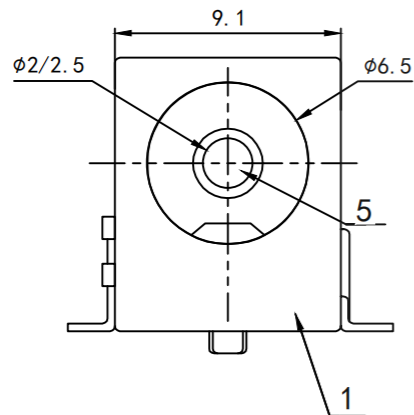
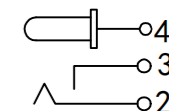


RoHS2.0  
Compliant



SCHMATIC



Main technical requirements

- No linear tolerance:  
0.0-10.0mm  $\pm 0.101$   
0.0-20.0mm  $\pm 0.15$   
20.0-50.0mm  $\pm 0.20$ mm

- Appearance should be good, no corrosion, cracks, poor plating and other phenomena.

Main technical performance

- Rated electrical load: 30V-2A;
- Contact resistance:  $< 0.020$ ;
- Insulation resistance:  $\geq 100M\Omega$ ;
- Withstand voltage: AC250V (50Hz) min;
- Insertion and withdrawal force: 3-15N;
- Life: 5,000 times.

|  |                         |  |                                |                    |
|--|-------------------------|--|--------------------------------|--------------------|
| <b>TOLERANCE</b><br>X. XXX $\pm 0.05$<br>X. XX $\pm 0.15$<br>X. X $\pm 0.20$<br>X. $\pm 0.30$<br>ANGLE $\pm 5.0^\circ$ |                         | <b>东莞市恒祺电子科技有限公司</b><br>Dongguan Hengqi Electronic Technology Co., Ltd       |                                |                    |
|  |                         | <a href="https://www.hq-dz.com">https://www.hq-dz.com</a> phone: 15812872448 |                                |                    |
| <b>PROTECTON</b><br>   | <b>TITLE:</b><br>DC电源插座 |  | <b>PART NO:</b> DC-050         |                    |
|  | <b>DRAWN:</b>           |  | <b>DRAWING NO:</b> 14.9*9.1*11 |                    |
|  | <b>CHECKED:</b>         | <b>DATE:</b> 18-10-08  | <b>UNIT:</b> mm                | <b>SCALE:</b> FULL |
| <b>APPROVED:</b>   | <b>DATE:</b> 18-10-08   | <b>DATE:</b> 18-10-08  | <b>SIZE:</b> A4                |                    |