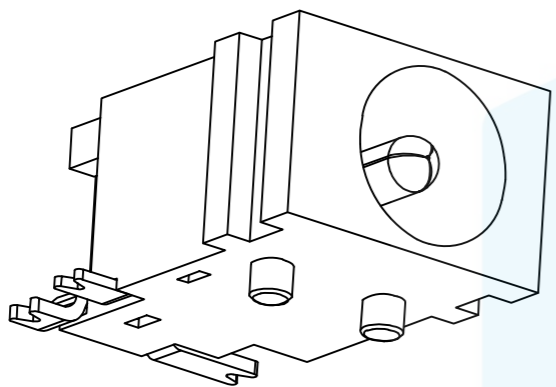
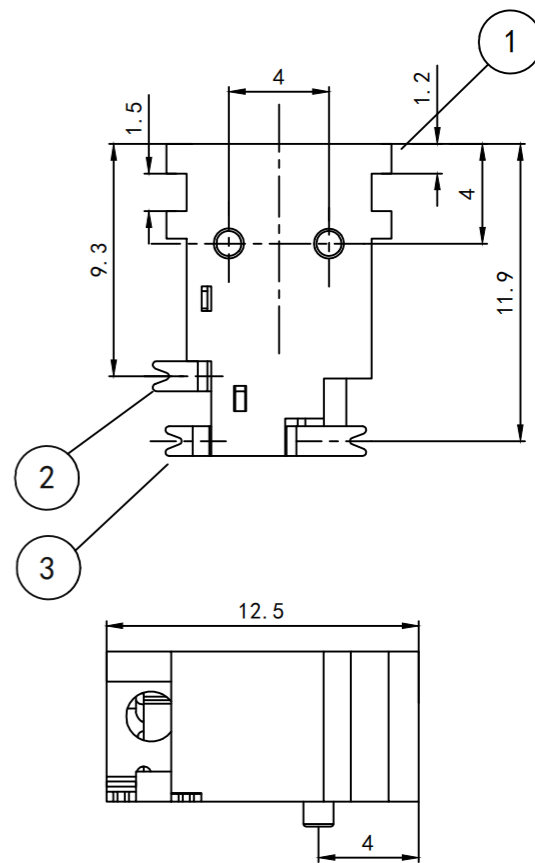
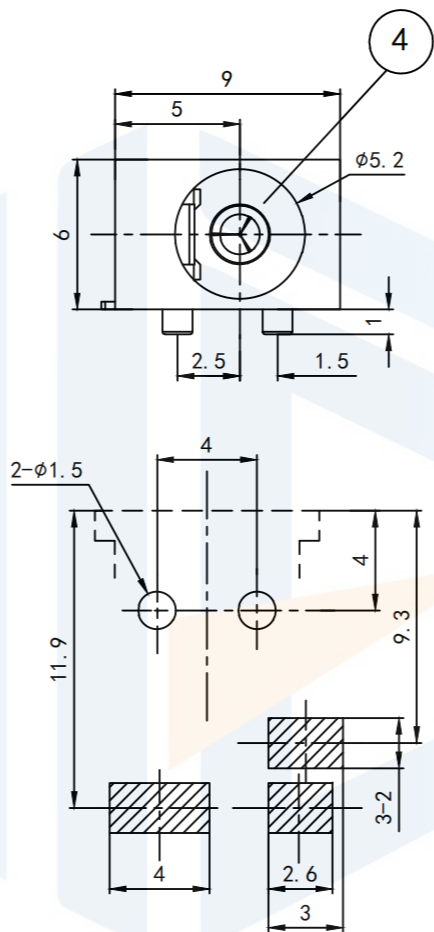
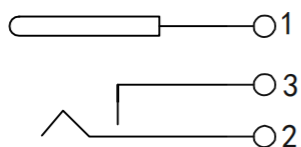


RoHS2.0
Compliant



接点示意图



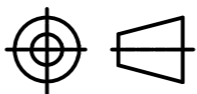
Main technical features:

1. Operating temperature range: $-30\sim 70^{\circ}$
2. Rated load: DC30V 0.2A
3. Contact resistance: $< 0.03\Omega$
4. Insulation resistance: $\geq 100M\Omega$
5. Withstand voltage: AC500V (50Hz)min
6. Action force: $3\sim 20N$
7. Life: 5000 times

TOLERANCE

X. XXX	± 0.05
X. XX	± 0.15
X. X	± 0.20
X.	± 0.30
ANGLE	$\pm 5.0^{\circ}$

PROTECTON



东莞市恒祺电子科技有限公司
Dongguan Hengqi Electronic Technology Co., Ltd

<https://www.hq-dz.com>

phone:15812872448

TITLE:
DC电源插座

PART NO:DC-049A

DRAWING NO:12.5*9*6

DRAWN:

DATE: 18-10-08

UNIT:
mm

CHECKED:

DATE: 18-10-08

SCALE:
FULL

APPROVED:

DATE: 18-10-08

SIZE:
A4