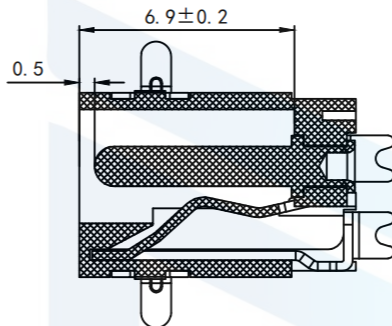
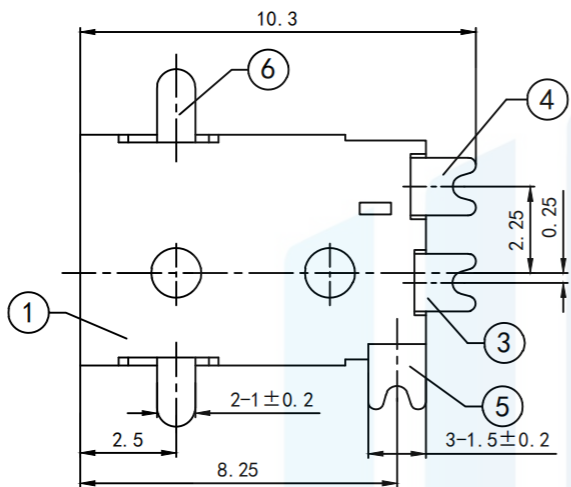
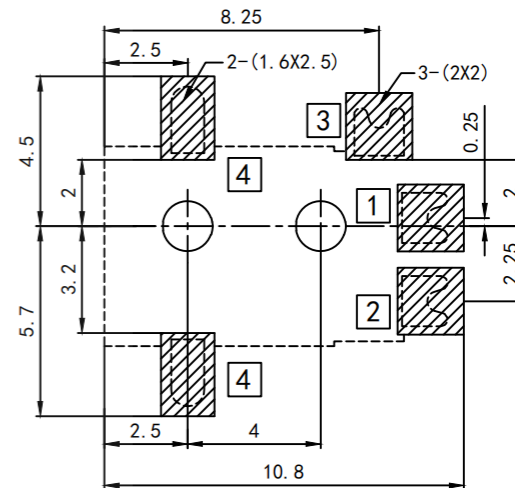


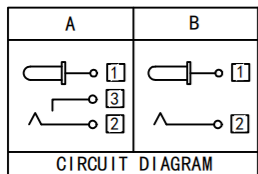
RoHS2.0
Compliant



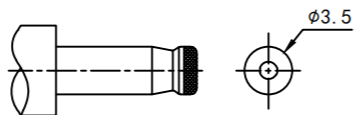
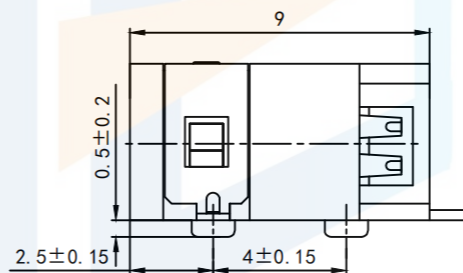
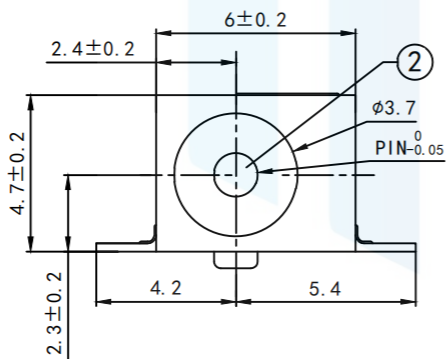
SECTION A-A



RECOMMENDED P.C.B LAYOUT
UNSPECIFIED TOLERANCE ± 0.05



MODEL NO	C	E
CENTER PIN	$\phi 1$	$\phi 1.3$



DC MATE PLUG

Technical requirement

Use condition: $-40 \sim 55^{\circ}\text{C}$

Rated load: DC 30V 0.5A

Contact resistance: $< 0.03 \Omega$

Insulation resistance: $> 100 \text{M}\Omega$ DC250V

Voltage: AC 500V(50Hz)/min

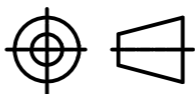
Insertion and withdrawal force :3-20N

Mechanical life; 5000 times

TOLERANCE

X. XXX	± 0.05
X. XX	± 0.15
X. X	± 0.20
X.	± 0.30
ANGLE	$\pm 5.0^{\circ}$

PROTECTON



东莞市恒祺电子科技有限公司
Dongguan Hengqi Electronic Technology Co., Ltd

<https://www.hq-dz.com>

phone: 15812872448

TITLE:

DC电源插座

PART NO: DC-045B

DRAWING NO: 9*6*4.7

DRAWN:

CHECKED:

APPROVED:

DATE:

18-10-08

UNIT:
mm

DATE:

18-10-08

SCALE:
FULL

DATE:

18-10-08

SIZE:
A4