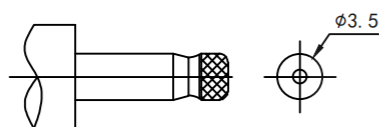
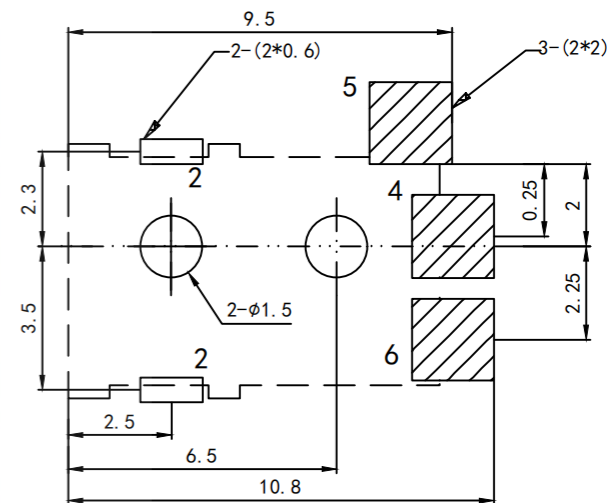
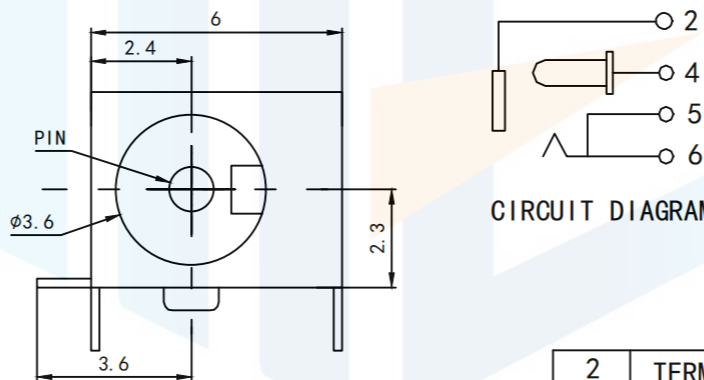
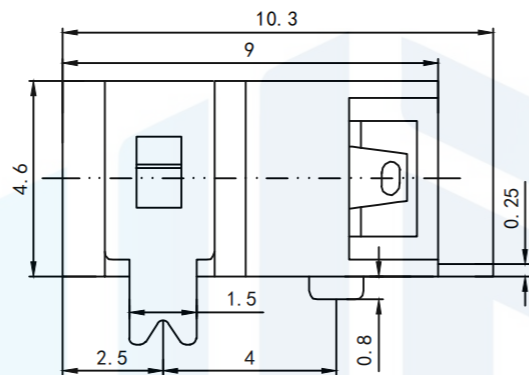
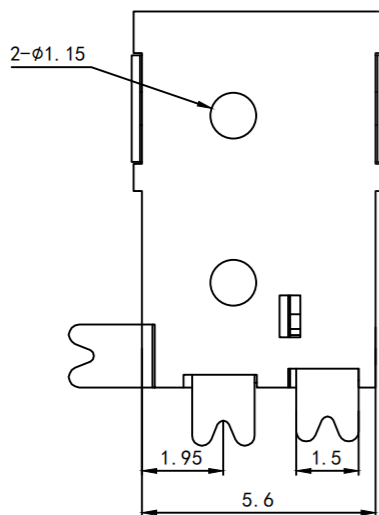


RoHS2.0  
Compliant

MODEDL NO.	1	2
PIN	φ1.0	φ1.3



DC MATE PLUG

Rating: 0.5A 30V DC  
 Contact Resistance: 30 m Max.  
 Operating temperature: -20 ~ 70  
 Operating force: 3-20N  
 Operating Life: 5,000cycles

ITEM	PART NAME	TER NO	QTY	MATERIAL	FINISHING	REMARK
2	TERMINAL	3		BRASS	AG PLATING	
1	HOUSING	1		PBT	BLACK	

<b>TOLERANCE</b>				东莞市恒祺电子科技有限公司 Dongguan Hengqi Electronic Technology Co., Ltd		
X. XXX	±0.05	https://www.hq-dz.com		phone: 15812872448		
X. XX	±0.15	TITLE: DC电源插座		PART NO: DC-045A		
X. X	±0.20			DRAWING NO: 10.3*6*4.6		
X.	±0.30			DRAWN:	DATE:	18-10-08
ANGLE	±5.0°			CHECKED:	DATE:	18-10-08
<b>PROTECTON</b>				APPROVED:	DATE:	18-10-08
					UNIT:	mm
					SCALE:	FULL
					SIZE:	A4