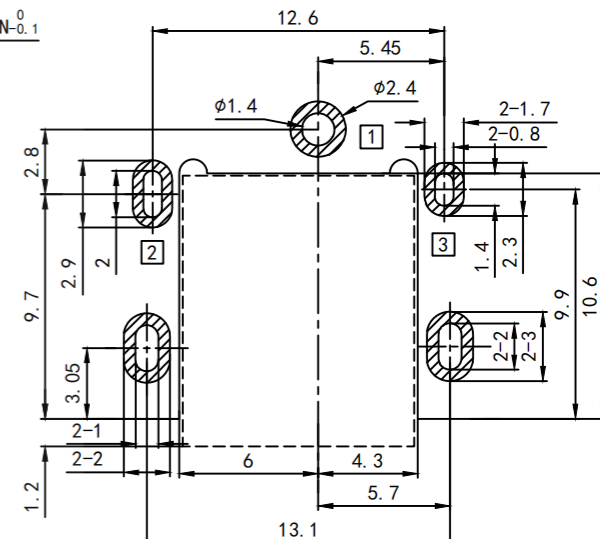
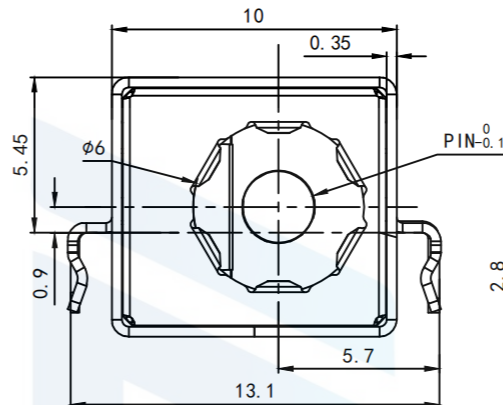
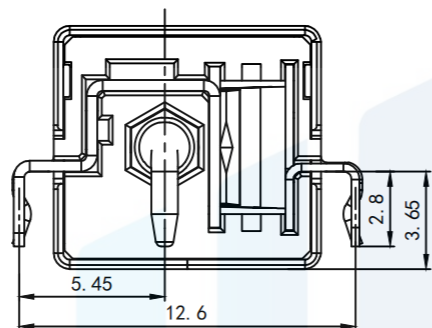
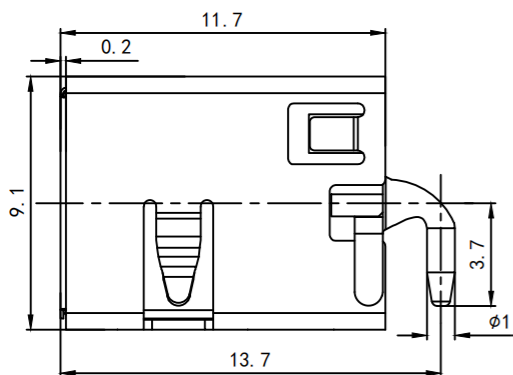
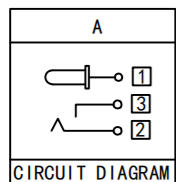


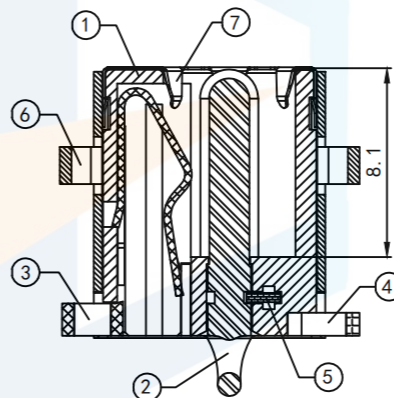
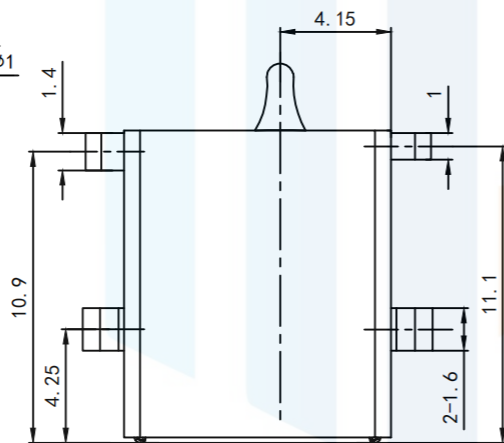
RoHS2.0
Compliant



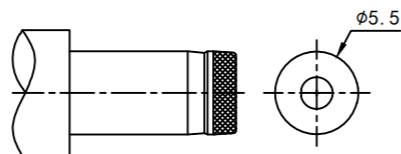
RECOMMENDED P. C. B. LAYOUT
UNSPECIFIED TOLERANCE: ± 0.05
(COPPER-SID VIEW)



MODEL NO	G	H	J
CENTER PIN	$\phi 1.65$	$\phi 2$	$\phi 2.5$



SECTION A-A



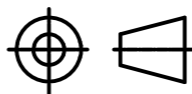
DC MATE PLUG

Technical requirement
Use condition: $-40\sim 55^{\circ}\text{C}$
Rated load: DC 30V 3A
Contact resistance: $< 0.03\Omega$
Insulation resistance: $> 100\text{M}\Omega$ DC250V
Voltage: AC 500V (50Hz) /min
Insertion and removal force: 3~20N
Mechanical life: 5000 times

TOLERANCE

X. XXX	± 0.05
X. XX	± 0.15
X. X	± 0.20
X.	± 0.30
ANGLE	$\pm 5.0^{\circ}$

PROTECTON



东莞市恒祺电子科技有限公司
Dongguan Hengqi Electronic Technology Co., Ltd

<https://www.hq-dz.com>

phone: 15812872448

TITLE:
DC电源插座

PART NO: DC-044B

DRAWING NO: 11.7*9.1*10

DRAWN:

DATE: 18-10-08

UNIT:
mm

CHECKED:

DATE: 18-10-08

SCALE:
FULL

APPROVED:

DATE: 18-10-08

SIZE:
A4