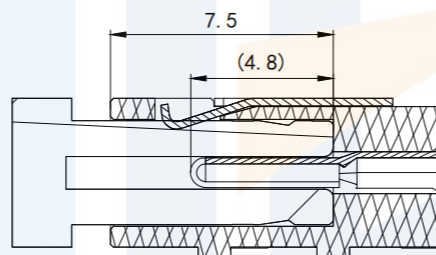
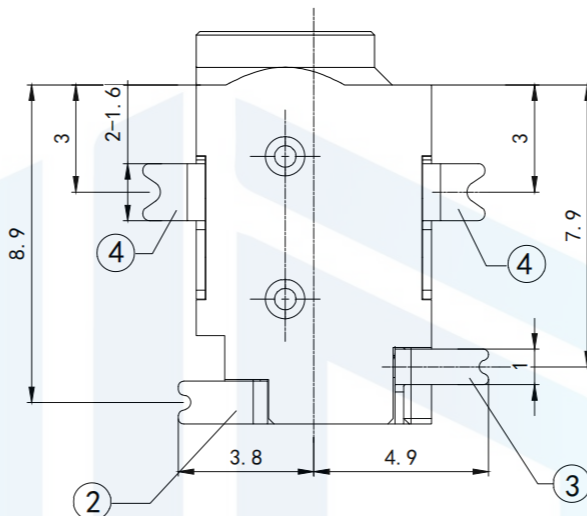
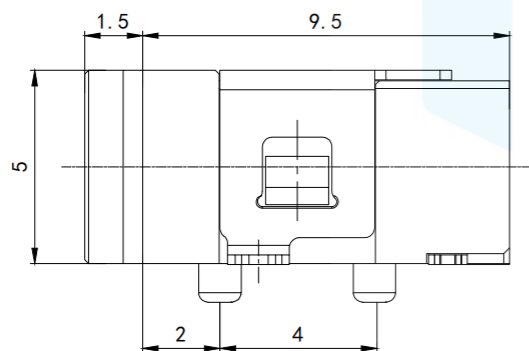
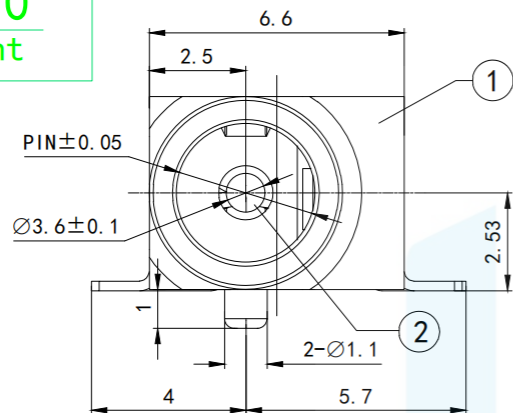
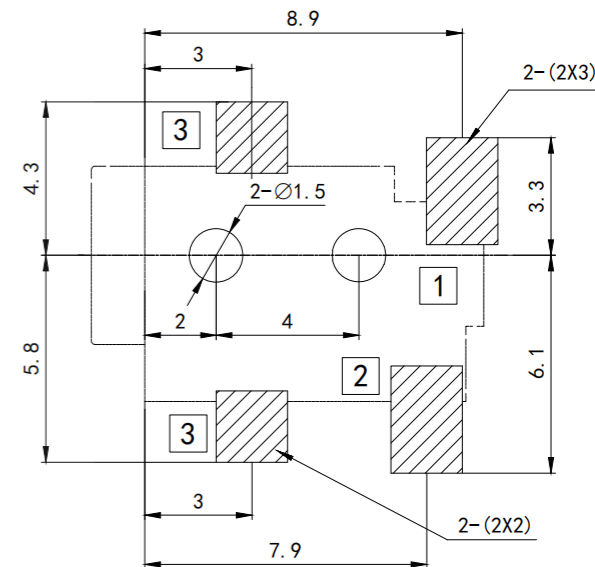


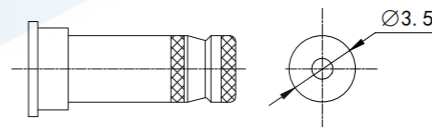
RoHS2.0  
Compliant



Plug Matching Diagram



PCB HOLES (TOP VIEW) T=1.0mm  
NOTE: GENERAL TOLERANCE: ±0.05mm

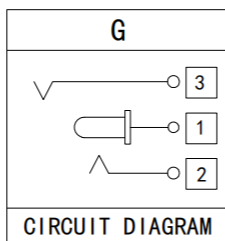


DC MATE PLUG

MODEL NO.	C	E
CENTER PIN	Ø1.0	Ø1.3

Technical requirements

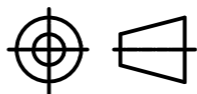
1. Rated load: DC 30V 0.2A
2. Contact resistance: ≤0.03 Ω
3. Insulation resistance: ≥100Ω DC250V
4. Withstand voltage: AC 500V (50Hz)/min
5. Insertion force: 3~20N
6. Mechanical life: 5000 times
7. Operation temperature range: -40°C~55°C



TOLERANCE

X. XXX	±0.05
X. XX	±0.15
X. X	±0.20
X.	±0.30
ANGLE	±5.0°

PROTECTON



东莞市恒祺电子科技有限公司  
Dongguan Hengqi Electronic Technology Co., Ltd

<https://www.hq-dz.com>

phone: 15812872448

TITLE:

DC电源插座

PART NO: DC-031A

DRAWING NO: 11\*6.6\*5

DRAWN:

CHECKED:

APPROVED:

DATE:

18-10-08

UNIT:  
mm

DATE:

18-10-08

SCALE:  
FULL

DATE:

18-10-08

SIZE:  
A4