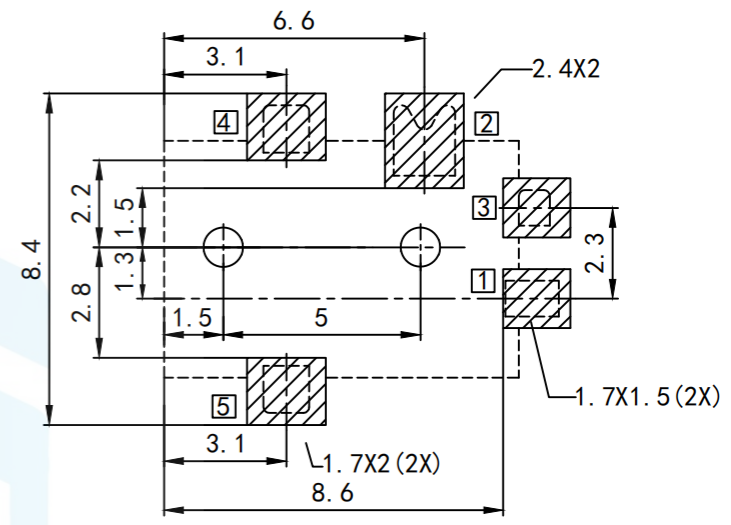
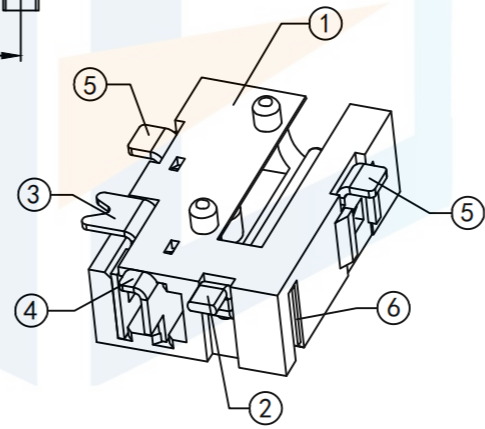
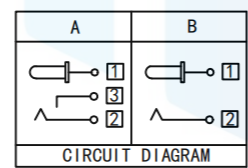
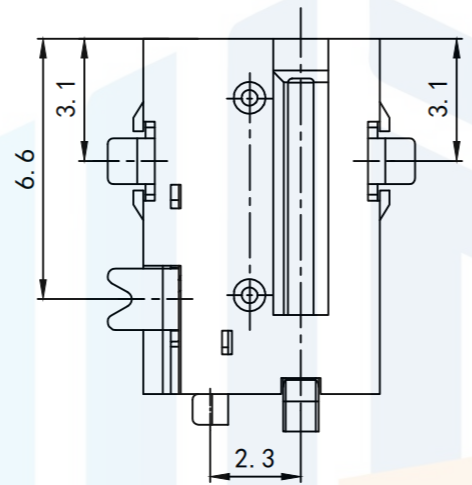
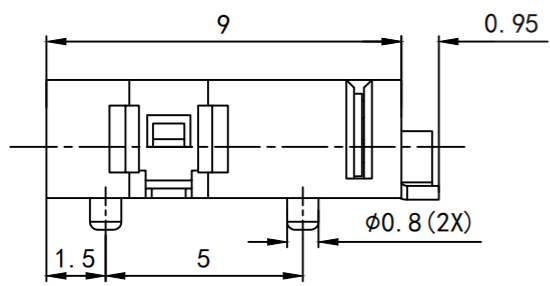
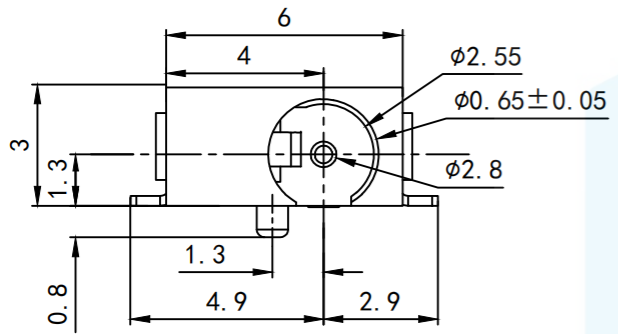
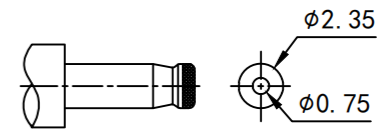


RoHS2.0  
Compliant



RECOMMENDED P. C. B LAYOUT  
UNSPECIFIED TOLERANCE: ±0.05  
(TOP VIEW)



DCMATE PLUG

Technical requirement  
Use condition: -40~55°C  
Rated load: DC 30V 0.5A  
Contact resistance: <0.03Ω  
Insulation resistance: >100MΩ DC250V  
Voltage: AC 500V(50Hz)/min  
Insertion and removal force: 3~20N  
Mechanical life: 5000 times

TOLERANCE	X. XXX	±0.05		东莞市恒祺电子科技有限公司		
	X. XX	±0.15		Dongguan Hengqi Electronic Technology Co., Ltd		
PROTECTON	X. X	±0.20		https://www.hq-dz.com		phone:15812872448
	X.	±0.30		TITLE: DC电源插座		PART NO:DC-056
	ANGLE	±5.0°	DRAWING NO:9*6*3		UNIT: mm	
	DRAWN:		DATE:	18-10-08	SCALE: FULL	
	CHECKED:		DATE:	18-10-08	SIZE: A4	
	APPROVED:		DATE:	18-10-08		