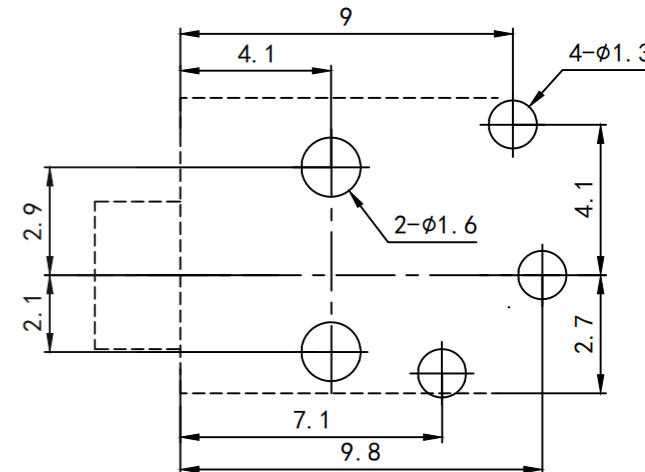
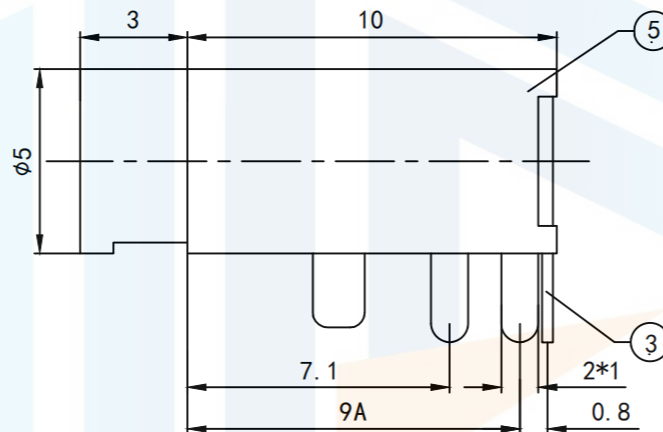
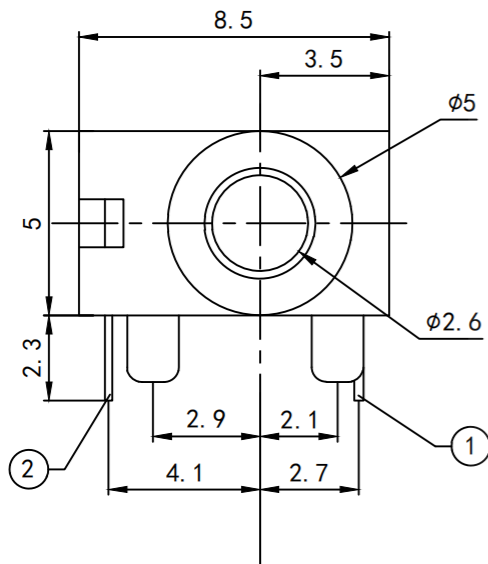
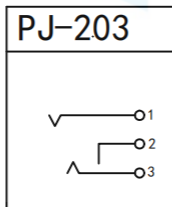


RoHS2.0  
Compliant



**SCHEMATIC**



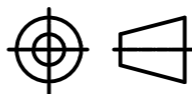
**PECIFICATION**

1. Rating DC 30V 0.5A
2. Contact resistance <0.03Ω
3. Insulation resistance 100M $\Omega$  (DC250V)
4. Withstand voltage 500VAC
5. Insertion and extraction force 3-20N;
- 6 life test 5,000 cycles

**TOLERANCE**

|        |       |
|--------|-------|
| X. XXX | ±0.05 |
| X. XX  | ±0.15 |
| X. X   | ±0.20 |
| X.     | ±0.30 |
| ANGLE  | ±5.0° |

**PROTECTON**



东莞市恒祺电子科技有限公司

Dongguan Hengqi Electronic Technology Co., Ltd

<https://www.hq-dz.com>

phone: 15812872448

TITLE:

耳机插座

PART NO: PJ-203

DRAWING NO: 13\*8.5\*5

DRAWN:

DATE:

18-10-08

UNIT:  
mm

CHECKED:

DATE:

18-10-08

SCALE:  
FULL

APPROVED:

DATE:

18-10-08

SIZE:  
A4