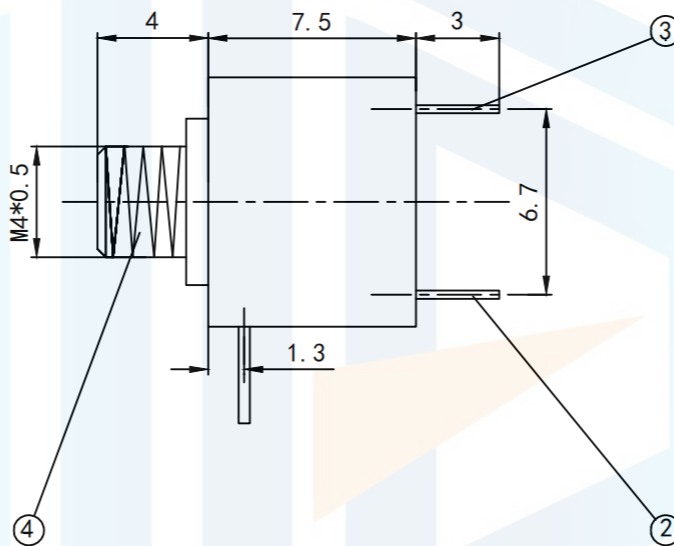
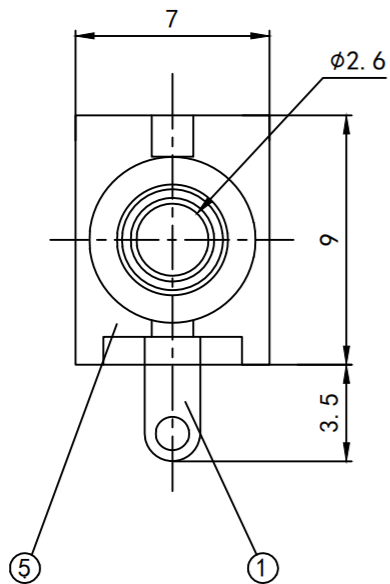
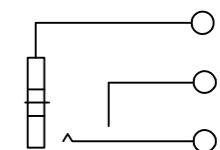


RoHS2.0
Compliant


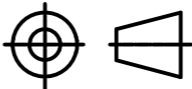


按点示意图



Technical requirement

1. Rated electrical load: 30V.0.2A
2. Contact resistance: $\leq 0.03 \Omega$
3. Insulation resistance: $\geq 100M\Omega$
4. Withstand voltage: AC250V(50HZ)/min
5. Insertion and withdrawal force: 3-10N
6. Life: 5000 times

TOLERANCE X. XXX ± 0.05 X. XX ± 0.15 X. X ± 0.20 X. ± 0.30 ANGLE $\pm 5.0^\circ$		东莞市恒祺电子科技有限公司 Dongguan Hengqi Electronic Technology Co., Ltd		
		https://www.hq-dz.com		phone:15812872448
PROTECTON 	TITLE: 耳机插座		PART NO: PJ-201M	
	DRAWN:		DRAWING NO: 11.5*9*7	
	CHECKED:	DATE: 18-10-08	UNIT: mm	SCALE: FULL
APPROVED:	DATE: 18-10-08	DATE: 18-10-08	SIZE: A4	