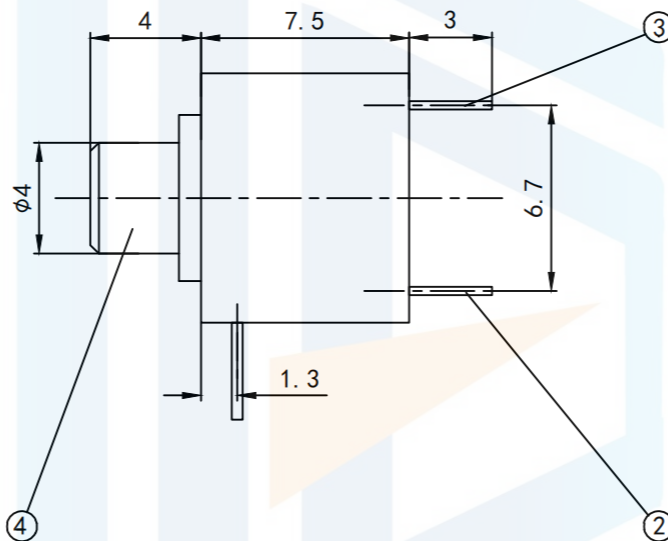
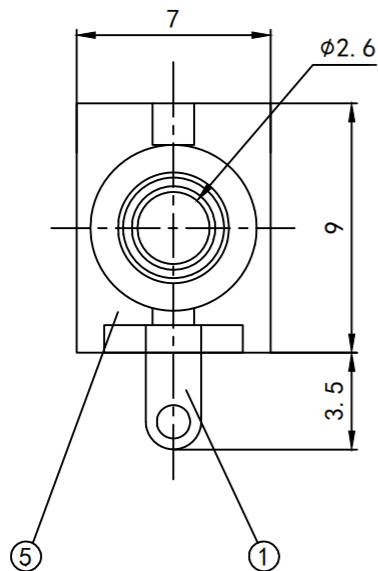
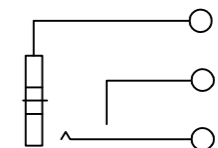


RoHS2.0  
Compliant ✓


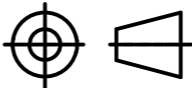


按点示意图



Technical requirement

1. Rated electrical load: 30V.0.2A
2. Contact resistance:  $\leq 0.03 \Omega$
3. Insulation resistance:  $\geq 100M\Omega$
4. Withstand voltage: AC250V(50HZ)/min
5. Insertion and withdrawal force: 3-10N
6. Life: 5000 times

<b>TOLERANCE</b> X. XXX $\pm 0.05$ X. XX $\pm 0.15$ X. X $\pm 0.20$ X. $\pm 0.30$ ANGLE $\pm 5.0^\circ$		<b>东莞市恒祺电子科技有限公司</b> Dongguan Hengqi Electronic Technology Co., Ltd		
		<a href="https://www.hq-dz.com">https://www.hq-dz.com</a>		phone:15812872448
<b>PROTECTON</b> 	<b>TITLE:</b> 耳机插座		<b>PART NO:</b> PJ-201	
	<b>DRAWN:</b>		<b>DRAWING NO:</b> 11.5*9*7	
	<b>CHECKED:</b>	<b>DATE:</b> 18-10-08	<b>UNIT:</b> mm	<b>SCALE:</b> FULL
<b>APPROVED:</b>	<b>DATE:</b> 18-10-08	<b>DATE:</b> 18-10-08	<b>SIZE:</b> A4	