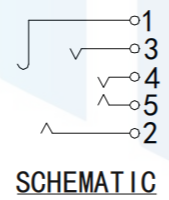
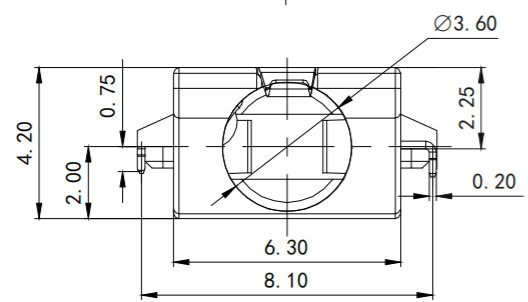
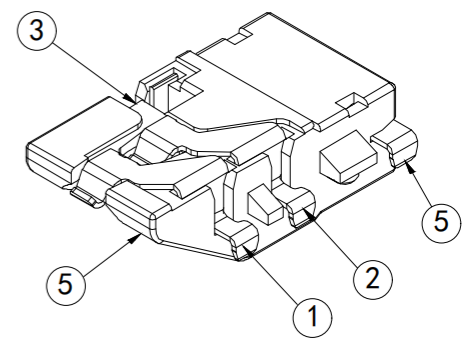
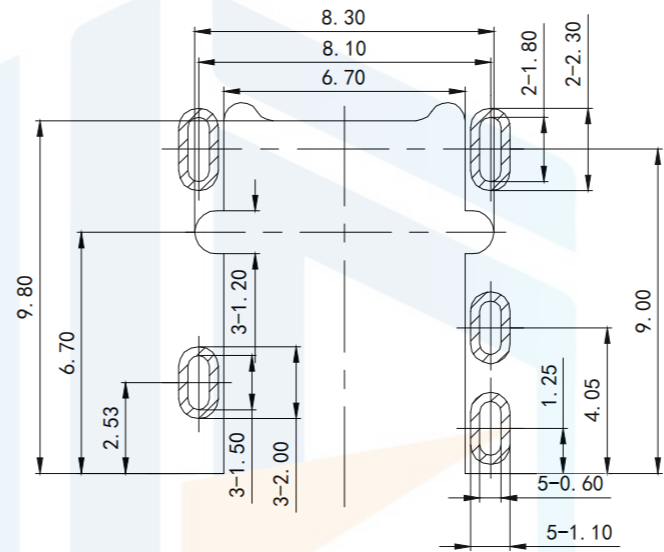
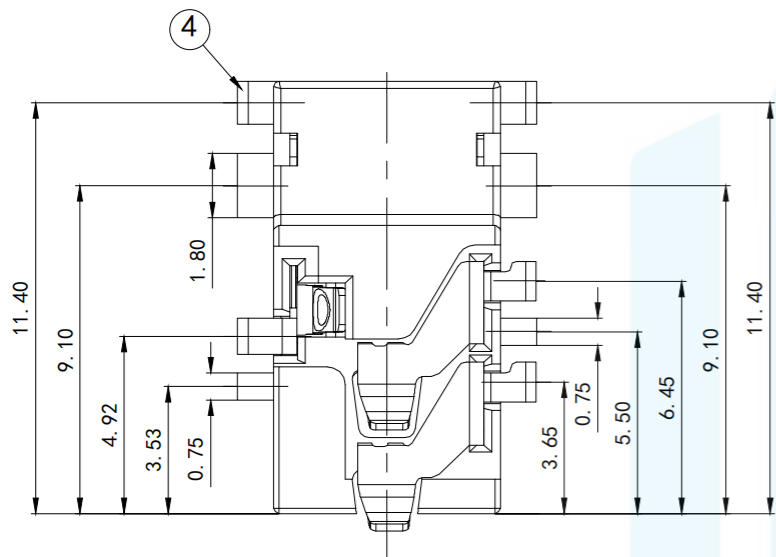


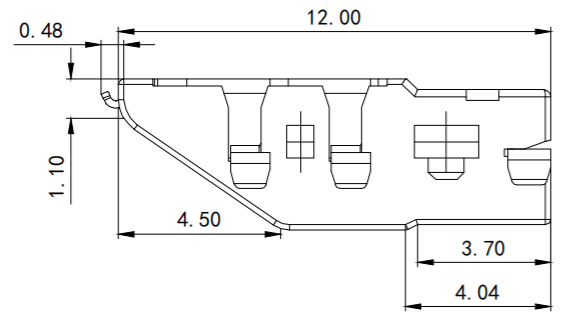
RoHS2.0
Compliant



PCB LAYOUT

SPECIFICATION

1. Rating : DC 30V 0.5A
2. Contact resistance : <30mΩ
3. Insulation resistance : >100MΩ
4. Withstand voltage : 500VAC
5. Insertion and extraction force: 3-30N
6. life test : 5,000 cycles



TOLERANCE			东莞市恒祺电子科技有限公司		
X. XXX	±0.05		Dongguan Hengqi Electronic Technology Co., Ltd		
X. XX	±0.15	https://www.hq-dz.com		phone:15812872448	
X. X	±0.20	TITLE: 耳机插座		PART NO: PJ-3617	
X.	±0.30			DRAWING NO: 12*6.3*4.2	
ANGLE	±5.0°	DRAWN:	DATE:	18-10-08	UNIT: mm
PROTECTON 		CHECKED:	DATE:	18-10-08	SCALE: FULL
		APPROVED:	DATE:	18-10-08	SIZE: A4