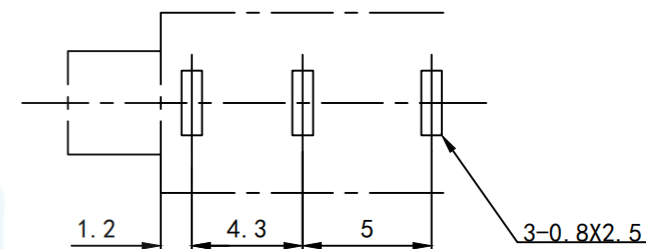
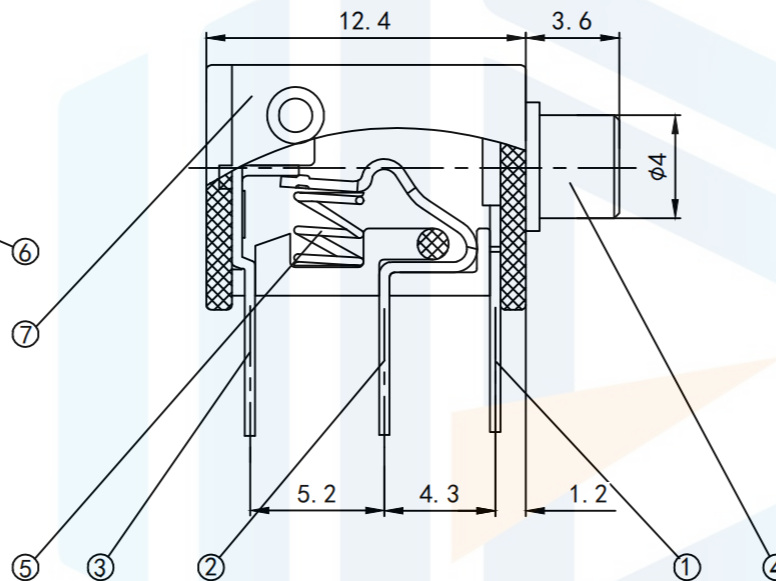
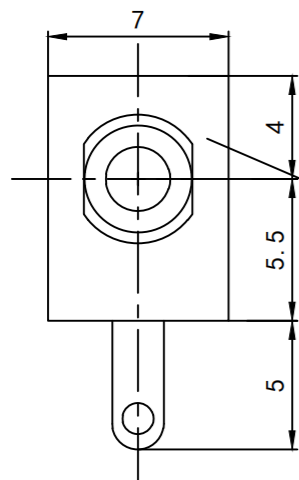
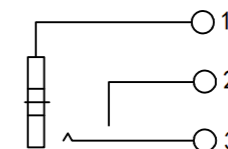


RoHS2.0
Compliant

印刷线路板开孔尺寸



按点示意图



Technical requirement

1. Rated electrical load: 30V.0.2A
2. Contact resistance: $\leq 0.03\Omega$
3. Insulation resistance: $\geq 100M\Omega$
4. Withstand voltage: AC250V(50HZ)/min
5. Insertion and withdrawal force: 3-10N
6. Life: 5000 times

Main technical requirements

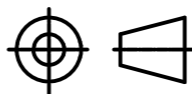
1. No linear tolerance is specified
0.0-10.0mm ± 0.10 mm
10-20mm ± 0.15 mm
20-50mm ± 0.20 mm
2. Appearance should be good, no corrosion, cracks, poor plating and other phenomena

7	盖板	1	增强尼龙	(黑)
6	基座	1	增强尼龙	(黑)
5	弹簧	1	碳素弹簧钢丝 (II)	铜锡
4	轴套	1	H59黄铜棒	镍
3	弯片	1	H62黄铜带T=0.4	锡锡
2	簧片	1	锡青铜带T=0.3	锡锡
1	平片	1	H62黄铜带T=0.4	铜锡
序号	名称	数量	材料	镀涂

TOLERANCE

X. XXX	± 0.05
X. XX	± 0.15
X. X	± 0.20
X.	± 0.30
ANGLE	$\pm 5.0^\circ$

PROTECTON



东莞市恒祺电子科技有限公司

Dongguan Hengqi Electronic Technology Co., Ltd

<https://www.hq-dz.com>

phone:15812872448

TITLE:

耳机插座

PART NO: PJ-213

DRAWING NO: 12.4*9.5*7

DRAWN:

DATE:

18-10-08

UNIT:
mm

CHECKED:

DATE:

18-10-08

SCALE:
FULL

APPROVED:

DATE:

18-10-08

SIZE:
A4