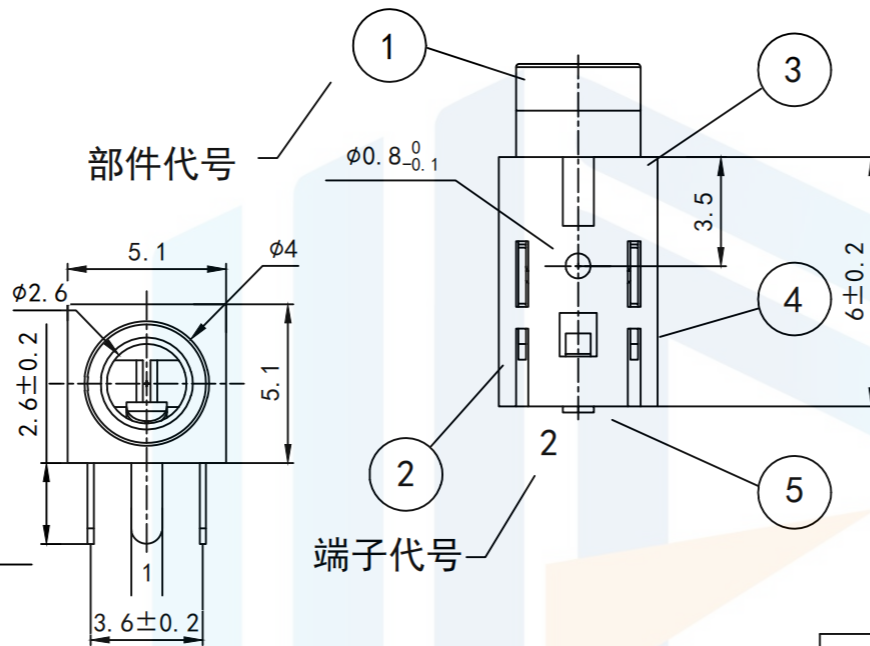
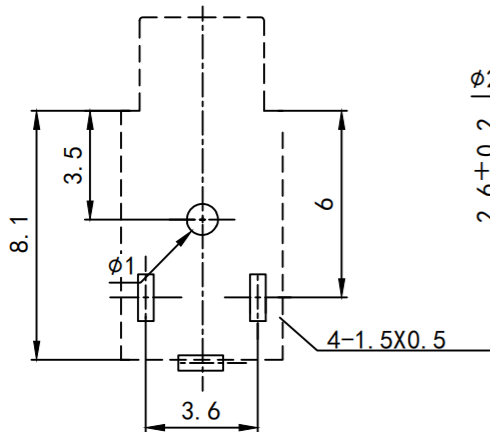
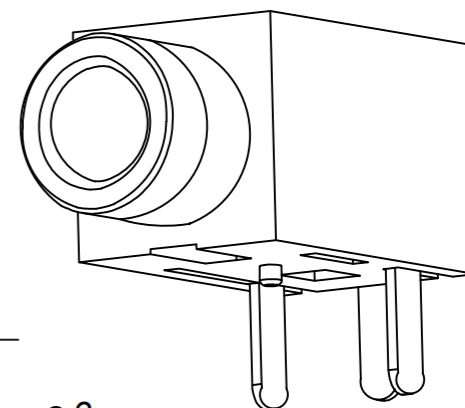
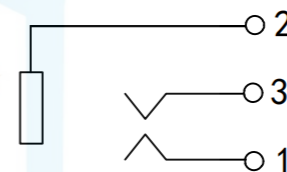


RoHS2.0
Compliant

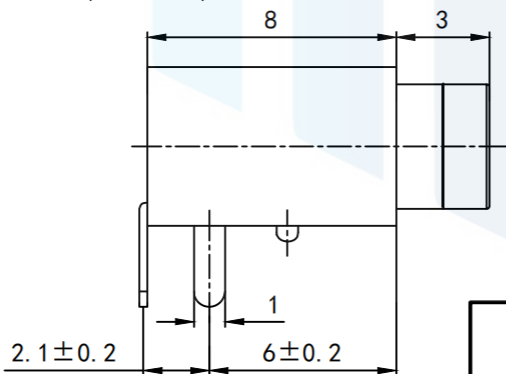
线路板开孔尺寸



电路图



序号	名称	数量	材料	备注
5	2# 簧片	1	锰钢带 t=0.2mm	D. Sn/SB
4	簧片 (左)	1	锰钢带 t=0.2mm	D. Sn/SB
3	基座	1	PA66	黑
2	簧片 (右)	1	锰钢带 t=0.2mm	D. Sn/SB
1	轴套	1	H59 黄铜棒 直径4mm	D. Sn/SN



Main technical features :

1. Rated electric load: 30V, 0.2A;
2. Contact resistance: <0.022;
3. Insulation resistance: >100MΩ;
4. Withstand voltage: AC250V (50Hz)min;
5. Insert and dial force: 3-10N;
6. Life: 5,000 times.

TOLERANCE X. XXX ±0.05 X. XX ±0.15 X. X ±0.20 X. ±0.30 ANGLE ±5.0°		东莞市恒祺电子科技有限公司 Dongguan Hengqi Electronic Technology Co., Ltd			
		https://www.hq-dz.com		phone:15812872448	
PROTECTON 	TITLE: 耳机插座		PART NO:PJ-210A		
			DRAWING NO:11*5.1*5.1		
	DRAWN:		DATE:	18-10-08	UNIT: mm
	CHECKED:		DATE:	18-10-08	SCALE: FULL
		APPROVED:		DATE:	18-10-08
				SIZE: A4	