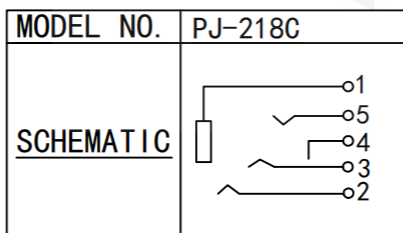
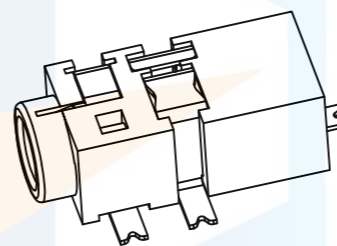
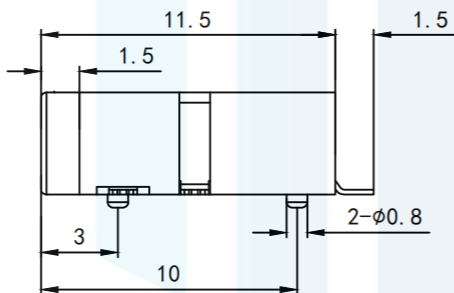
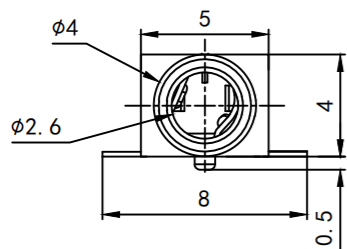
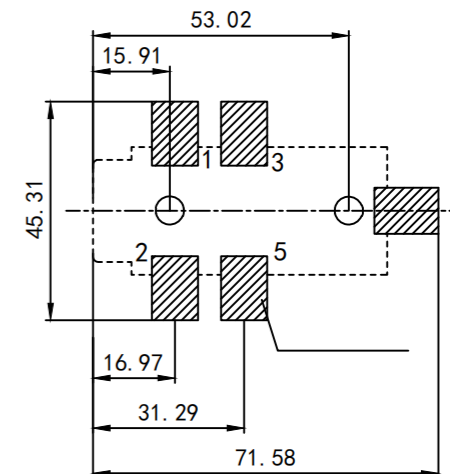
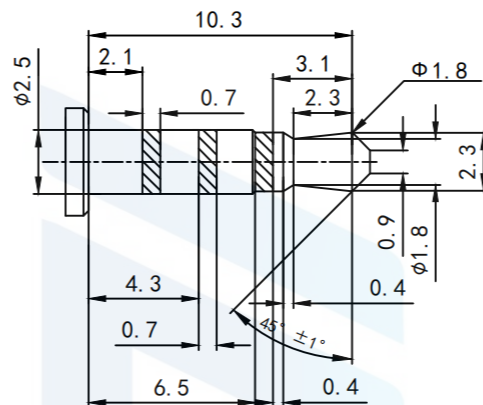
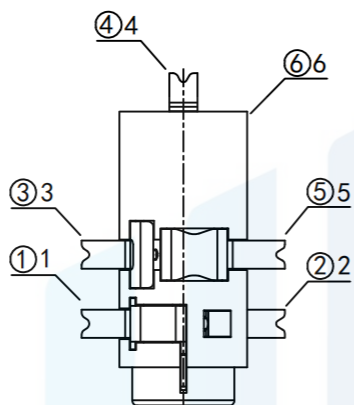
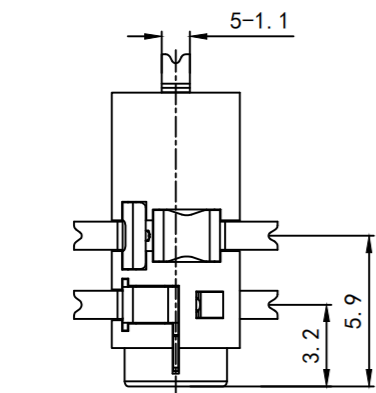


RoHS2.0
Compliant



NO.	PART NAME	QTY	MATERIAL (THICK, COLOP)	REMARK
6	HOUSING	1	PA9T (BLACK)	
5	TERMINAL#5	1	PHOSPHOR BRONZE	Ag-Plated
4	TERMINAL#4	1	PHOSPHOR BRONZE	Ag-Plated
3	TERMINAL#3	1	PHOSPHOR BRONZE	Ag-Plated
2	TERMINAL#2	1	PHOSPHOR BRONZE	Ag-Plated
1	TERMINAL#1	1	PA9T	Ag-Plated

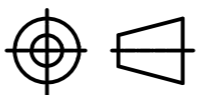
SPECIFICATION

1. Rating : DC 30V 0.5A;
2. Contact resistance: $\leq 0.03 \Omega$;
3. Insulation resistance: $\geq 100M \Omega$ (DC250V);
4. Withstand voltage: 500VAC ;
5. Insertion and extraction force: 3-20N;
6. life test: 5,000 cycles.

TOLERANCE

X. XXX	± 0.05
X. XX	± 0.15
X. X	± 0.20
X.	± 0.30
ANGLE	$\pm 5.0^\circ$

PROTECTON



东莞市恒祺电子科技有限公司
Dongguan Hengqi Electronic Technology Co., Ltd

<https://www.hq-dz.com>

phone: 15812872448

TITLE:

耳机插座

PART NO: PJ-218C

DRAWING NO: 11.5*5*4

DRAWN:

DATE:

18-10-08

UNIT:
mm

CHECKED:

DATE:

18-10-08

SCALE:
FULL

APPROVED:

DATE:

18-10-08

SIZE:
A4