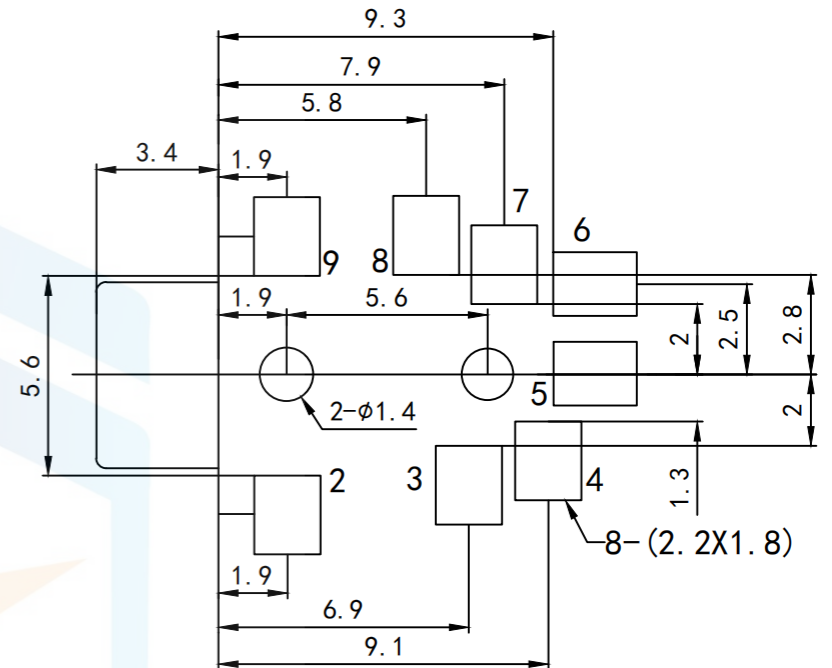
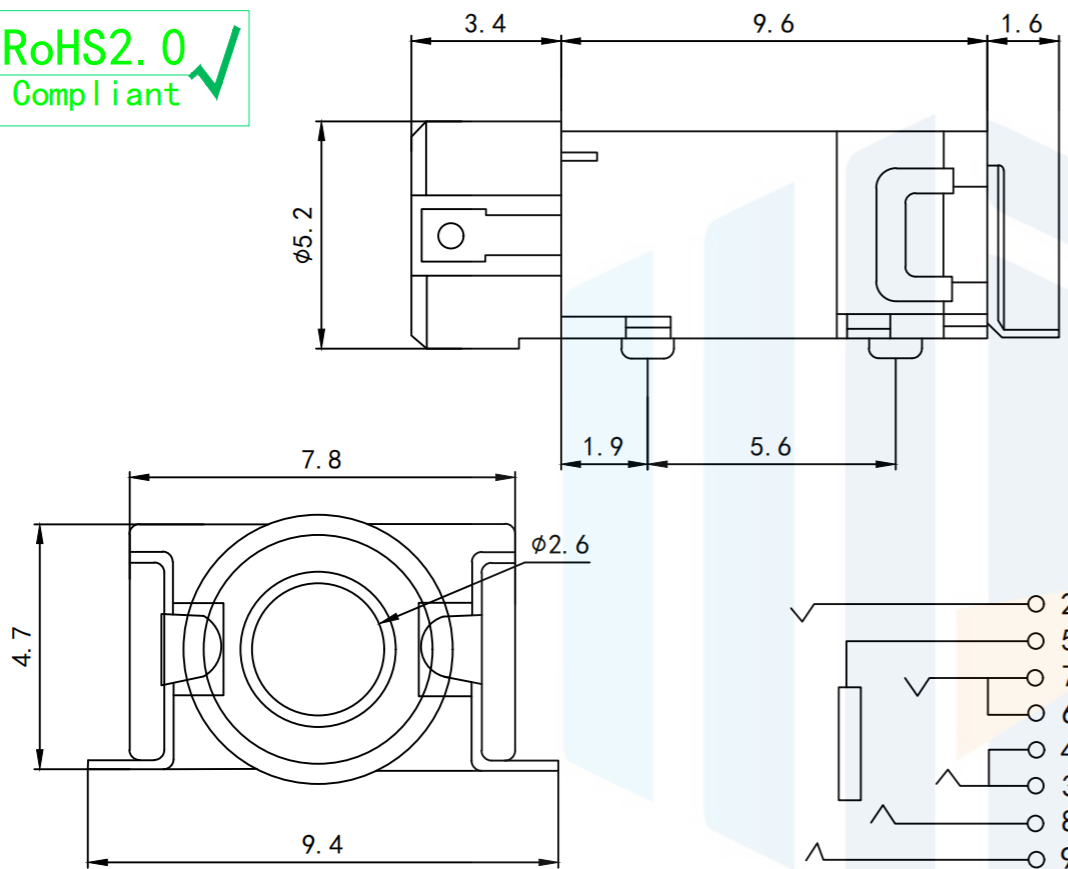

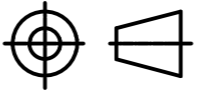


RoHS2.0  
Compliant ✓



Technical features:  
 Operating conditions:  $-30\sim 70^{\circ}$   
 Rated load: DC30V 0.5A  
 Contact resistance:  $<0.03\Omega$   
 Insulation resistance:  $>100M\Omega$  DC250V  
 Voltage: AC500V(50Hz)/min  
 Insertion and removal force:  $3\sim 20N$   
 Lifetime: 5000 times

<b>TOLERANCE</b> X. XXX $\pm 0.05$ X. XX $\pm 0.15$ X. X $\pm 0.20$ X. $\pm 0.30$ ANGLE $\pm 5.0^{\circ}$	 东莞市恒祺电子科技有限公司 Dongguan Hengqi Electronic Technology Co., Ltd <a href="https://www.hq-dz.com">https://www.hq-dz.com</a> phone:15812872448	TITLE: 耳机插座		PART NO: PJ-232	
		DRAWN:		DATE: 18-10-08	
<b>PROTECTON</b> 	CHECKED:		DATE: 18-10-08		SCALE: FULL
	APPROVED:		DATE: 18-10-08		SIZE: A4