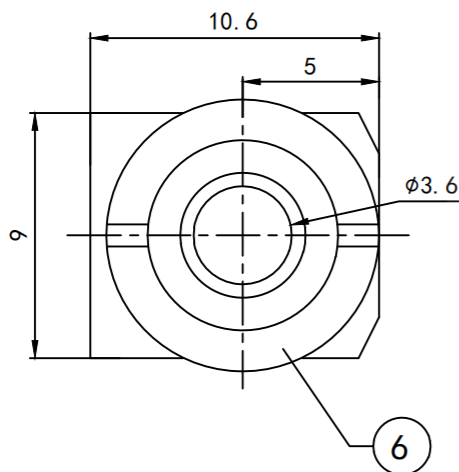
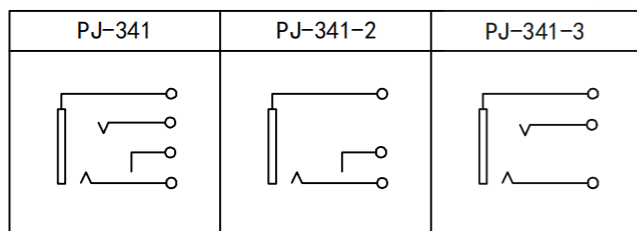


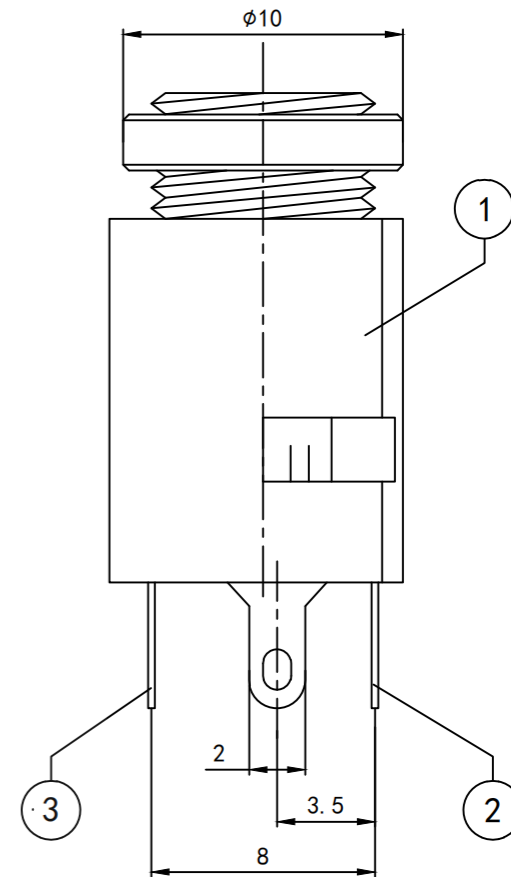
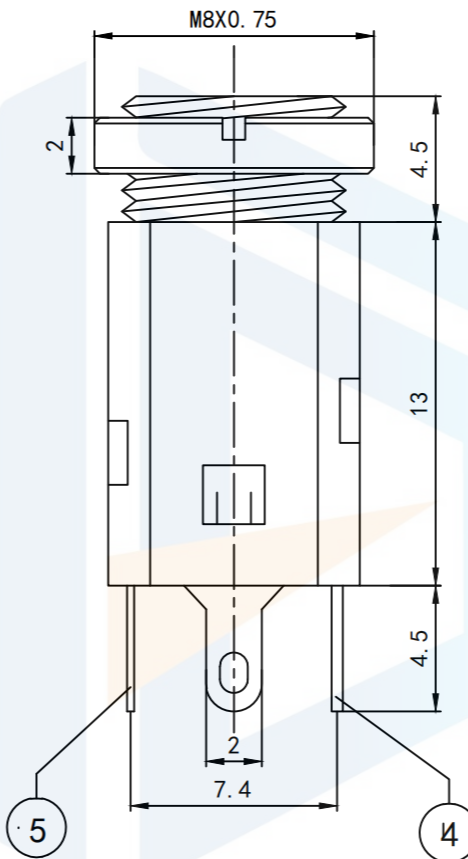
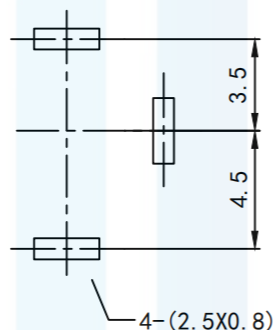
RoHS2.0
Compliant



按点示意图
SCHEMATIC



印制板开孔尺寸
P. C. B LAYOUT



Major technology
Performance Rated electrical load DC 30V 10.5A
Contact resistance $\leq 0.03 \Omega$
Insulation resistance $\geq 100M \Omega$
Withstand voltage AC500V (50Hz)/min
Insertion and withdrawal force 3-20N
Operating temperature range $-30-70^{\circ}C$
Service life 5000 times

TOLERANCE X. XXX ± 0.05 X. XX ± 0.15 X. X ± 0.20 X. ± 0.30 ANGLE $\pm 5.0^{\circ}$		东莞市恒祺电子科技有限公司 Dongguan Hengqi Electronic Technology Co., Ltd	
		https://www.hq-dz.com phone: 15812872448	
PROTECTON 	TITLE: 耳机插座		PART NO: PJ-341-3P
	DRAWN:		DRAWING NO: 13*9*10.6
	CHECKED:	DATE: 18-10-08	UNIT: mm
APPROVED:	DATE: 18-10-08	SCALE: FULL	
		DATE: 18-10-08	SIZE: A4