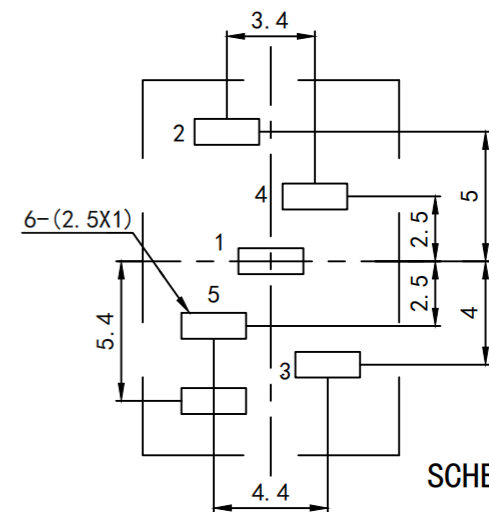
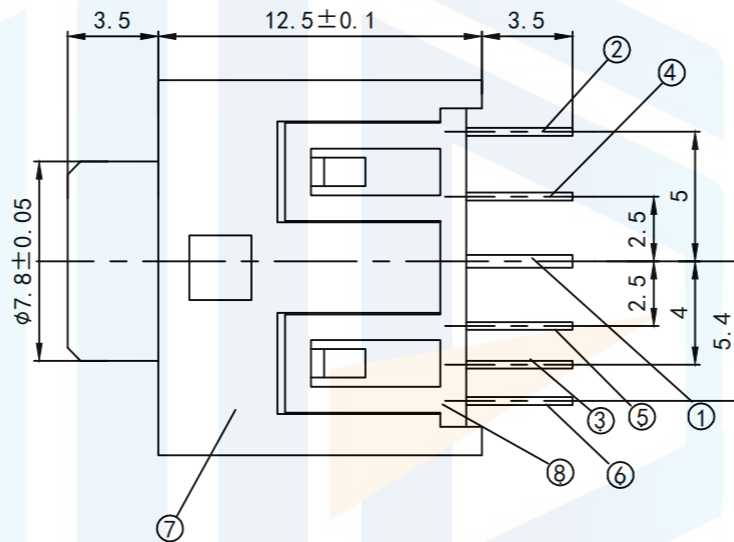
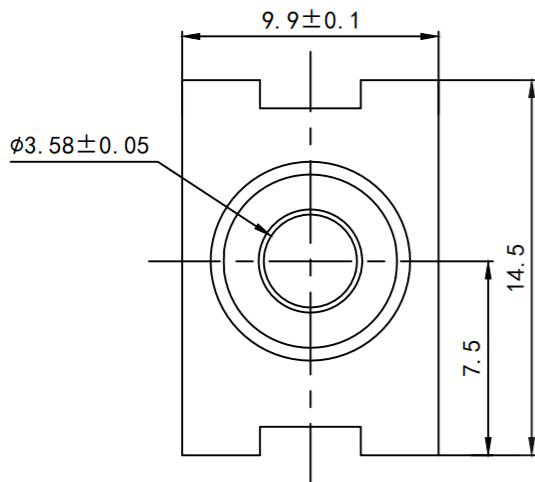
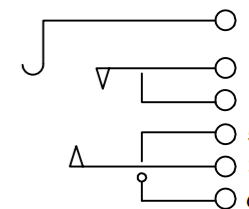


RoHS2.0  
Compliant



SCHEMATIC



Main technical requirements

1. No linear tolerance:

0.0-10.0mm  $\pm 0.10$ mm

10.0-20.0mm  $\pm 0.15$ mm

20.0-50.0mm  $\pm 0.20$ mm

2, the appearance should be good, no corrosion, cracks, poor plating and other phenomena.

Main technical performance

1. Rated electric load: 30V 0.5A

2. Contact resistance:  $< 0.03 \Omega$

3. Insulation resistance:  $> 100M \Omega$ ;

4. Withstand voltage: AC500V (50Hz)min

5. Insertion and withdrawal force: 5-35N;

6. Life: more than 5,000 times.

TOLERANCE

X. XXX  $\pm 0.05$

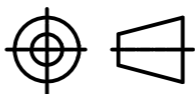
X. XX  $\pm 0.15$

X. X  $\pm 0.20$

X.  $\pm 0.30$

ANGLE  $\pm 5.0^\circ$

PROTECTON



东莞市恒祺电子科技有限公司

Dongguan Hengqi Electronic Technology Co., Ltd

<https://www.hq-dz.com>

phone: 15812872448

TITLE:

耳机插座

PART NO: PJ-333-6P

DRAWING NO: 16\*9.9\*14.5

DRAWN:

DATE:

18-10-08

UNIT:  
mm

CHECKED:

DATE:

18-10-08

SCALE:  
FULL

APPROVED:

DATE:

18-10-08

SIZE:  
A4