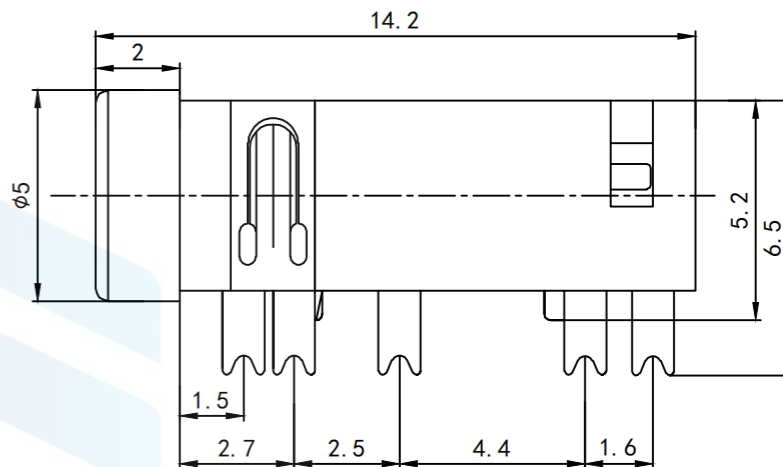
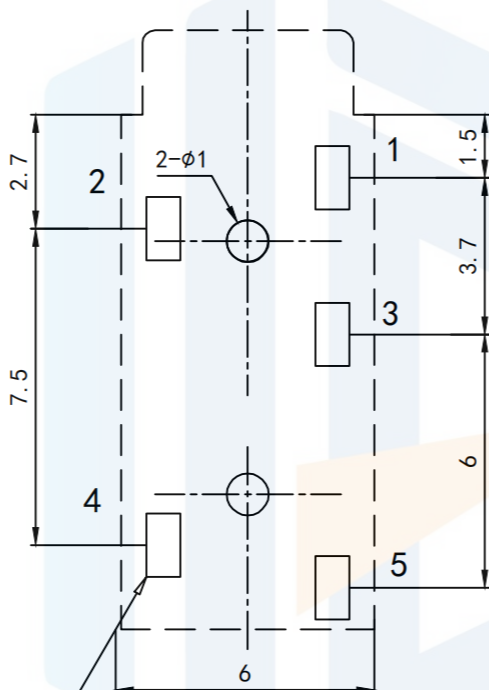
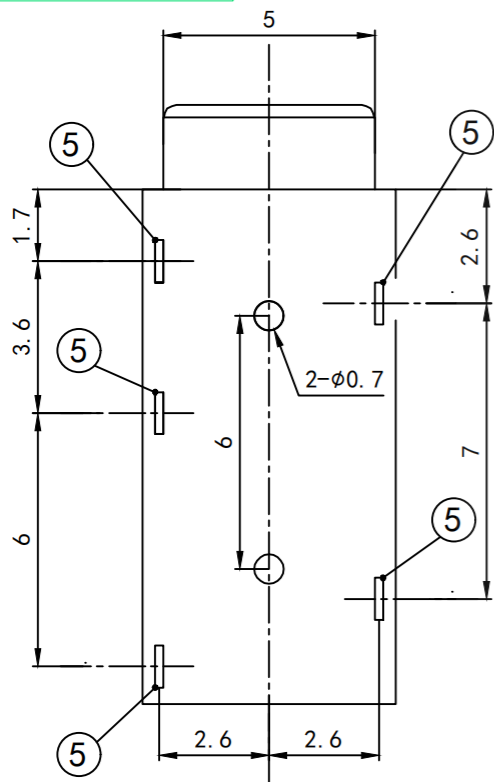


RoHS2.0
Compliant

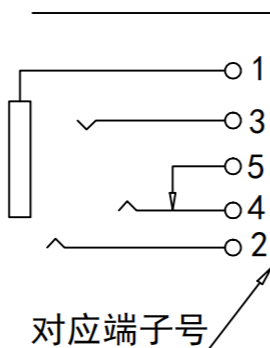
印制板开孔尺寸 (±0.1)
显示为底面



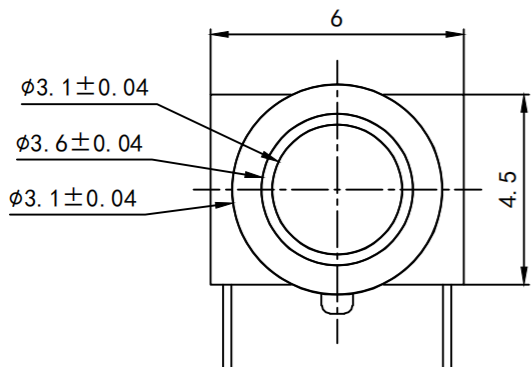
Main technical performance
 Rated electric load DC 30V \ 0.5A
 Contact resistance 50.03Ω
 Insulation resistance 2100MΩ
 Withstand voltage AC500V (50Hz) /min
 Insertion and withdrawal force 3-20N
 Operating temperature range -30-70°C
 Service life 5000 times

对应端子号

电原理图



对应端子号



TOLERANCE			东莞市恒祺电子科技有限公司 Dongguan Hengqi Electronic Technology Co., Ltd		
X. XXX	±0.05		https://www.hq-dz.com		phone:15812872448
X. XX	±0.15	TITLE: 耳机插座		PART NO: PJ-327A	
X. X	±0.20			DRAWING NO: 14.1*6*4.5	
X.	±0.30	DRAWN:		DATE: 18-10-08	
ANGLE	±5.0°	CHECKED:		DATE: 18-10-08	
PROTECTON		APPROVED:		DATE: 18-10-08	
				UNIT: mm	
				SCALE: FULL	
				SIZE: A4	