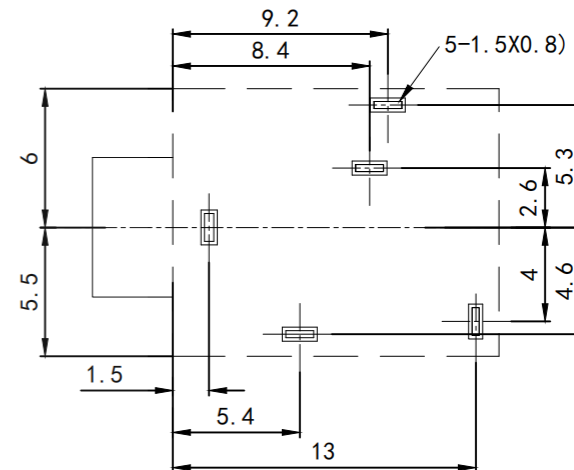
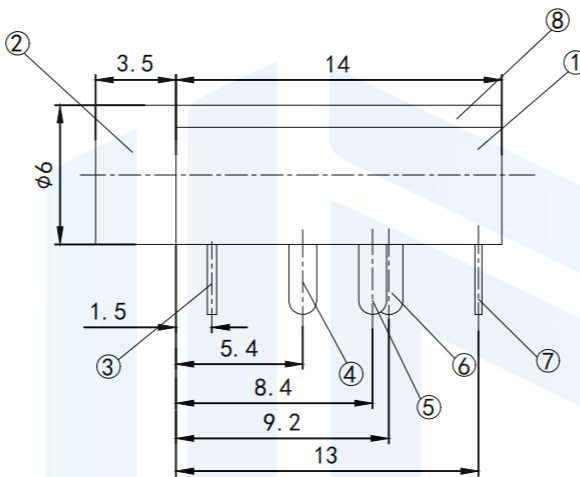
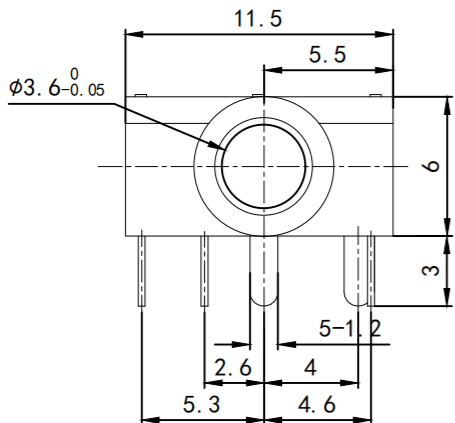
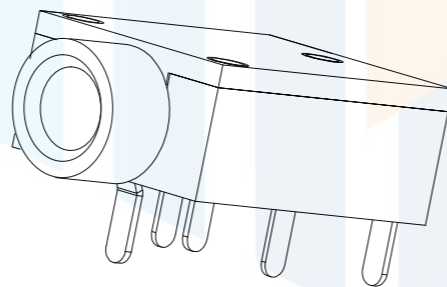


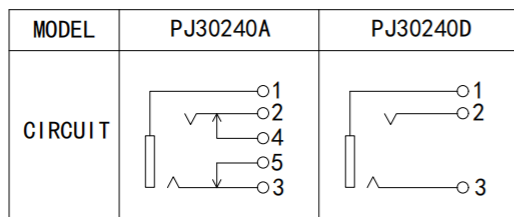
RoHS2.0
Compliant



P.C.B HOLE LAYOUT
TOPVIEW



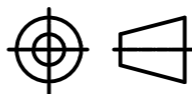
8	COVER	1	PA	BLACK
7	TERMINAL	1	C2680 T=0.3	MB:Cu Cu/Sn PLATED
6	TERMINAL	1	C2680 T=0.3	MB:Cu Cu/Sn PLATED
5	TERMINAL	1	C2680 T=0.3	MB:Cu Cu/Sn PLATED
4	TERMINAL	1	C2680 T=0.3	MB:Cu Cu/Sn PLATED
3	TERMINAL	1	C2680 T=0.4	MB:Cu Cu/Sn PLATED
2	SOCKET	1	C2680	MB:Cu Cu/Sn PLATED
1	HOUSING	1	PA	BLACK
LTR	PART NAME	QTY	MATERIAL	FINISH



TOLERANCE

X. XXX	±0.05
X. XX	±0.15
X. X	±0.20
X.	±0.30
ANGLE	±5.0°

PROTECTON



东莞市恒祺电子科技有限公司

Dongguan Hengqi Electronic Technology Co., Ltd

<https://www.hq-dz.com>

phone:15812872448

TITLE:

耳机插座

PART NO: PJ-324

DRAWING NO: 17.5*11.5*6

DRAWN:

DATE:

18-10-08

UNIT:
mm

CHECKED:

DATE:

18-10-08

SCALE:
FULL

APPROVED:

DATE:

18-10-08

SIZE:
A4