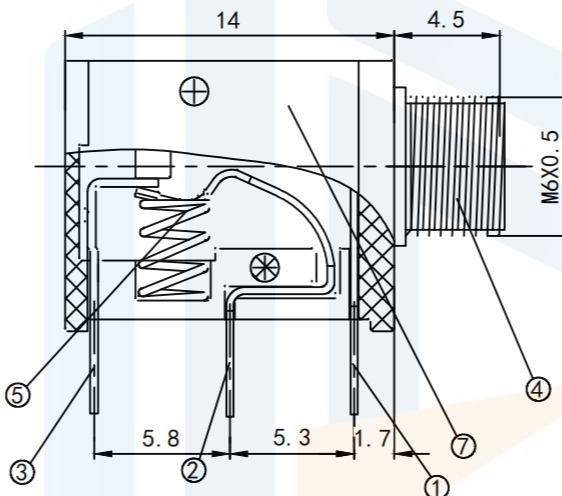
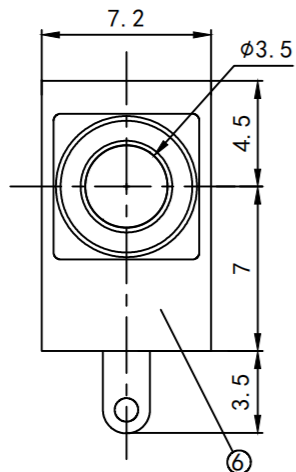
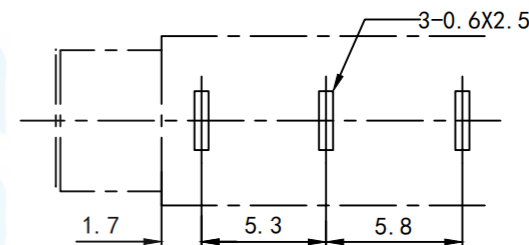


RoHS2.0  
Compliant



印制线路板开孔尺寸



Main technical requirements

1. No linear tolerance:

0.0-10.0mm  $\pm 0.10$ mm

10.0-20.0mm  $\pm 0.15$ mm

20.0-50.0mm  $\pm 0.20$ mm

2. Appearance should be good, no corrosion, cracks, poor plating and other phenomena.

Main technical performance

1. Rated electrical load: 30V 0.2A;

2. Contact resistance:  $\leq 0.03 \Omega$ ;

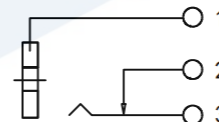
3. Insulation resistance:  $2100 m\Omega$ ;

4. Withstand voltage: AC250V (50Hz)min;

5. Insertion and withdrawal force: 3-15N;

6. Life: 5,000 times.

按点示意图

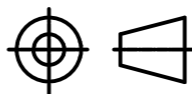


7	盖板	1	聚碳	(透明)
6	底座	1	PBT	(黑)
5	弹簧	1	碳素弹簧铜丝 (11级)	
4	轴套	1	H59黄铜棒	镍
3	弯片	1	H62黄铜带T=0.35	锡锡
2	簧片	1	锡青铜带T=0.3	锡锡
1	平片	1	H62黄铜带T=0.35	锡锡
序号	名称	数量	材料	镀涂

TOLERANCE

X. XXX	$\pm 0.05$
X. XX	$\pm 0.15$
X. X	$\pm 0.20$
X.	$\pm 0.30$
ANGLE	$\pm 5.0^\circ$

PROTECTON



东莞市恒祺电子科技有限公司

Dongguan Hengqi Electronic Technology Co., Ltd

<https://www.hq-dz.com>

phone: 15812872448

TITLE:

耳机插座

PART NO: PJ-323M

DRAWING NO: 18.5\*7.2\*11.5

DRAWN:

DATE:

18-10-08

UNIT:  
mm

CHECKED:

DATE:

18-10-08

SCALE:  
FULL

APPROVED:

DATE:

18-10-08

SIZE:  
A4