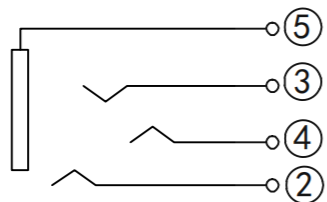
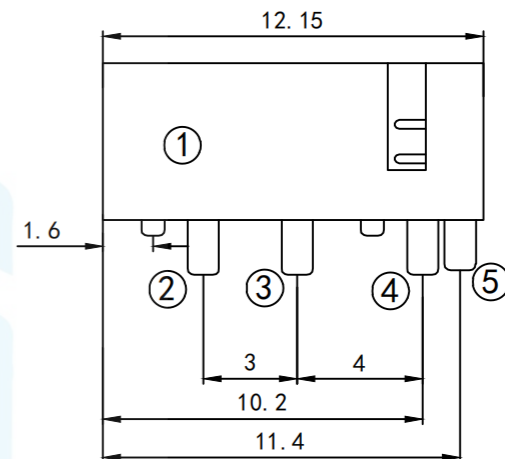
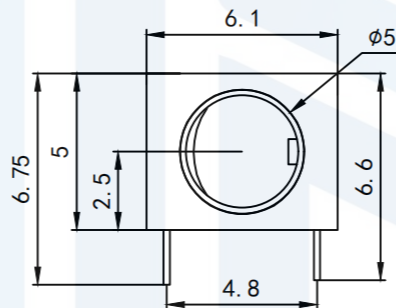
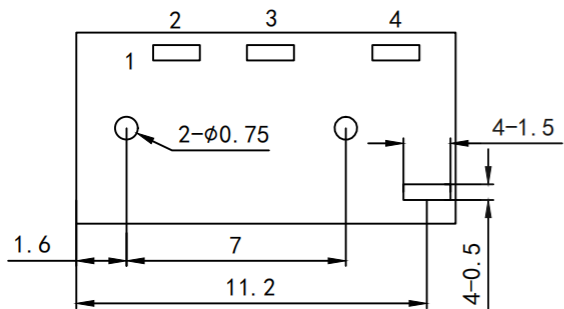


RoHS2.0
Compliant



序号	产品编号	产品名称	数量	材料	规格	电镀
5		基座	1	PPA	0.2Y	Ag
4		2号脚	1	H65	0.2Y	
3		3号脚	1	H65	0.2Y	
2		4号脚	1	H65	0.2Y	
1	PJ-320D	5号脚	1	H65	0.2T	

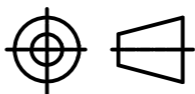
SPECIFICATION

1. Rating : DC 30V 0.5A
2. Contact resistance : <30mΩ
3. Insulation resistance : >100MΩ
4. Withstand voltage : 500VAC
5. Insertion and extraction force: 3-30N
6. life test : 5,000 cycles

TOLERANCE

X. XXX	±0.05
X. XX	±0.15
X. X	±0.20
X.	±0.30
ANGLE	±5.0°

PROTECTON



东莞市恒祺电子科技有限公司

Dongguan Hengqi Electronic Technology Co., Ltd

<https://www.hq-dz.com>

phone:15812872448

TITLE:

耳机插座

PART NO: PJ-320WA

DRAWING NO: 12*6*5

DRAWN:

DATE:

18-10-08

UNIT:
mm

CHECKED:

DATE:

18-10-08

SCALE:
FULL

APPROVED:

DATE:

18-10-08

SIZE:
A4