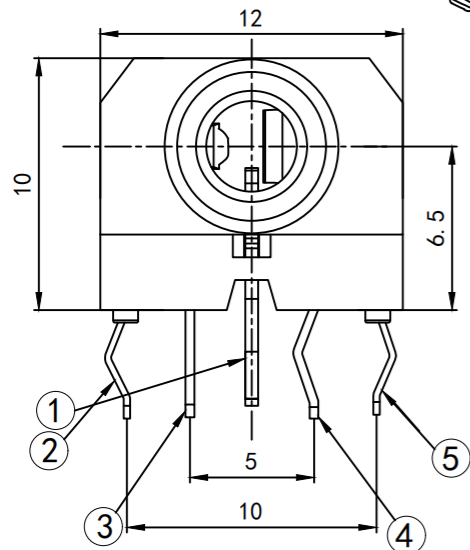
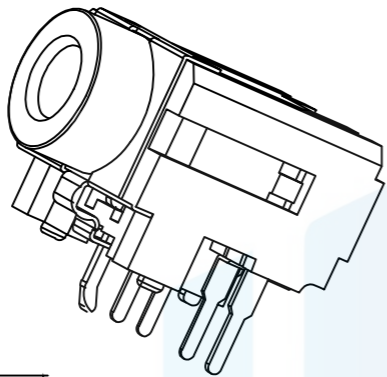
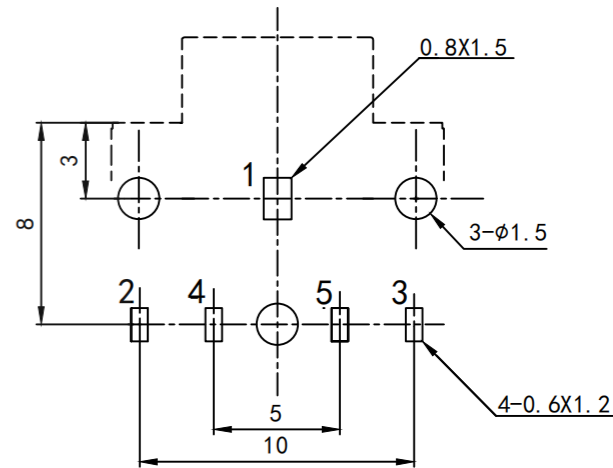
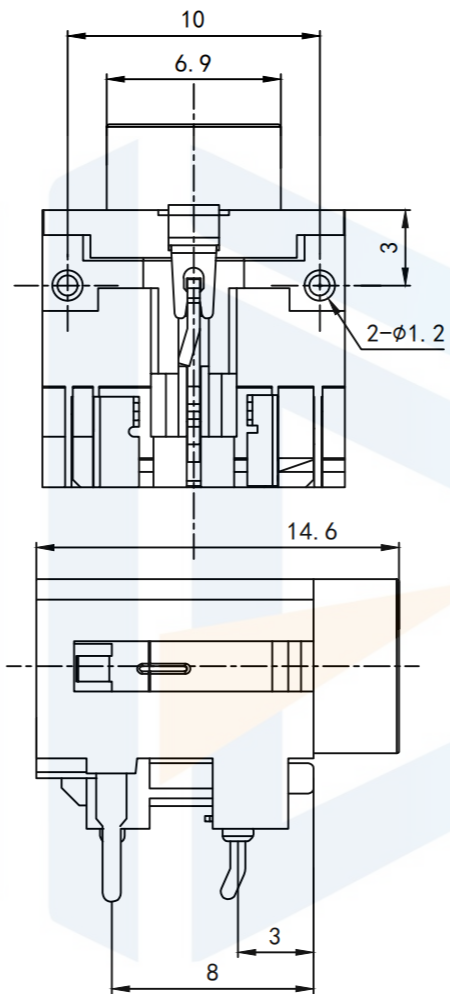
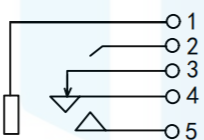


RoHS2.0
Compliant



电路原理图



序号	图号或代号	名称	数量	材料	备注
8		5#簧片	1	QSn6.5-0.1锡青铜带 δ=0.25mm	D. L1Ag
7		绝缘垫块	1	PA工程材料	黑色
6		4#簧片	1	H62(Y)黄铜带 δ=0.25mm	D. L1Ag
5		3#簧片	1	H62(Y)黄铜带 δ=0.25mm	D. L1Ag
4		2#簧片	1	QSn6.5-0.1锡青铜带 δ=0.25mm	D. L1Ag
3		1#簧片	1	H62(Y)黄铜带 δ=0.4mm	D. L1Ag
2		底座	1	PBT工程材料	配色
1					

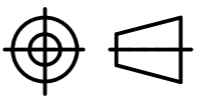
Main technical performance

1. Rated electrical load: 30V.0.5A;
2. Contact resistance: < 0.03Ω;
3. Insulation resistance: >100MΩ;
4. Withstand voltage: AC500V(50Hz)/min
5. Insertion and withdrawal force: 3~20N;
6. Life: 5,000 times.

TOLERANCE

X. XXX	±0.05
X. XX	±0.15
X. X	±0.20
X.	±0.30
ANGLE	±5.0°

PROTECTON



东莞市恒祺电子科技有限公司
Dongguan Hengqi Electronic Technology Co., Ltd

<https://www.hq-dz.com> phone:15812872448

TITLE: 耳机插座		PART NO: PJ-317S		
		DRAWING NO: 14.6*12*10		
DRAWN:		DATE:	18-10-08	UNIT: mm
CHECKED:		DATE:	18-10-08	SCALE: FULL
APPROVED:		DATE:	18-10-08	SIZE: A4