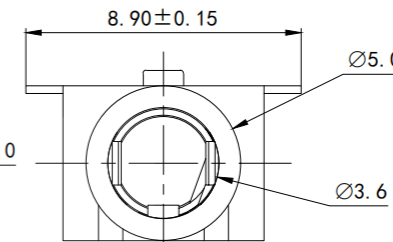
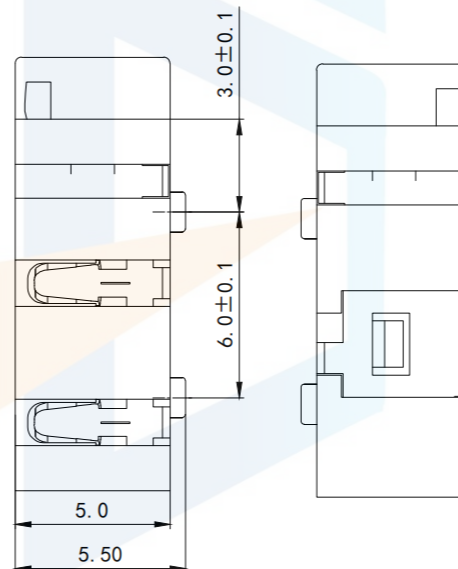
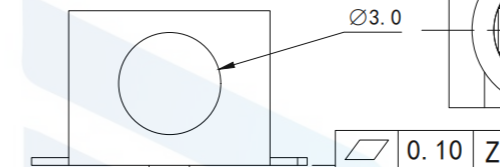
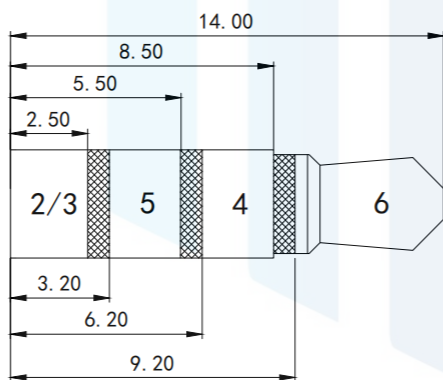
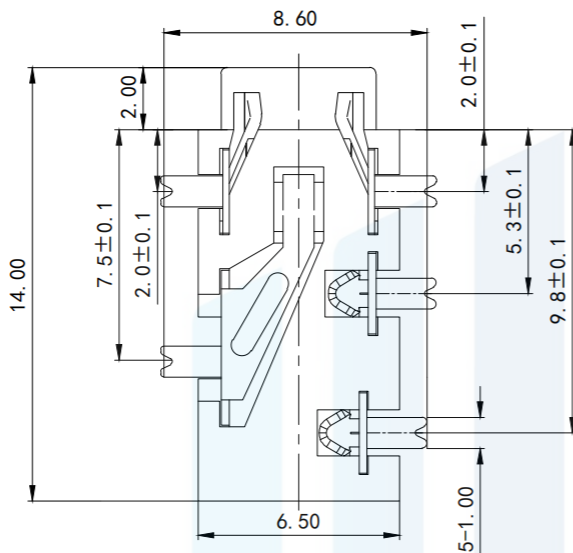
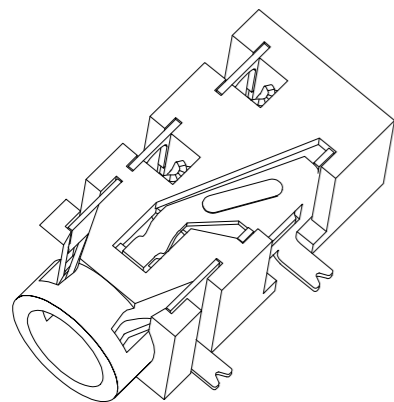
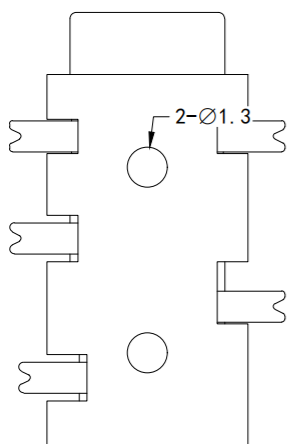
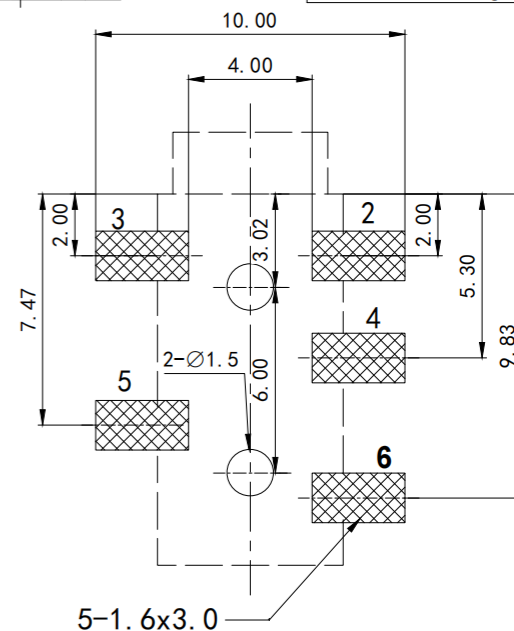
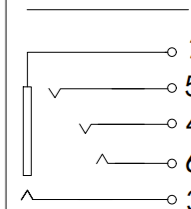


RoHS2.0
Compliant



SCHEMATIC



P. C. B LAYOUT TOP VIEW

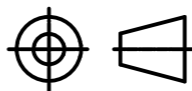
Main technical performance

1. Rated electrical load: 30V 0.5A;
2. Contact resistance: 0.03Ω;
3. Absolute edge resistance: >100 MΩ;
4. Withstand voltage: AC 250V (50Hz) min
5. Insertion and withdrawal force: 3-15N
6. Life: 5,000 times.

TOLERANCE

X. XXX	±0.05
X. XX	±0.15
X. X	±0.20
X.	±0.30
ANGLE	±5.0°

PROTECTON



东莞市恒祺电子科技有限公司

Dongguan Hengqi Electronic Technology Co., Ltd

<https://www.hq-dz.com>

phone:15812872448

TITLE:

耳机插座

PART NO: PJ-327F

DRAWING NO: 14*6.5*5

DRAWN:

CHECKED:

APPROVED:

DATE:

18-10-08

UNIT:
mm

DATE:

18-10-08

SCALE:
FULL

DATE:

18-10-08

SIZE:
A4