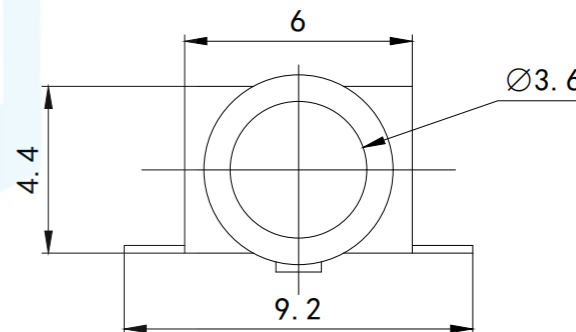
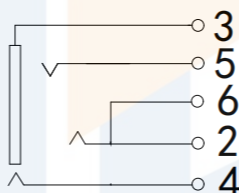
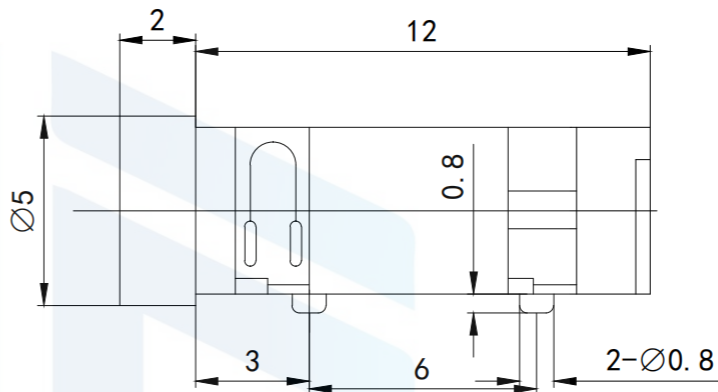
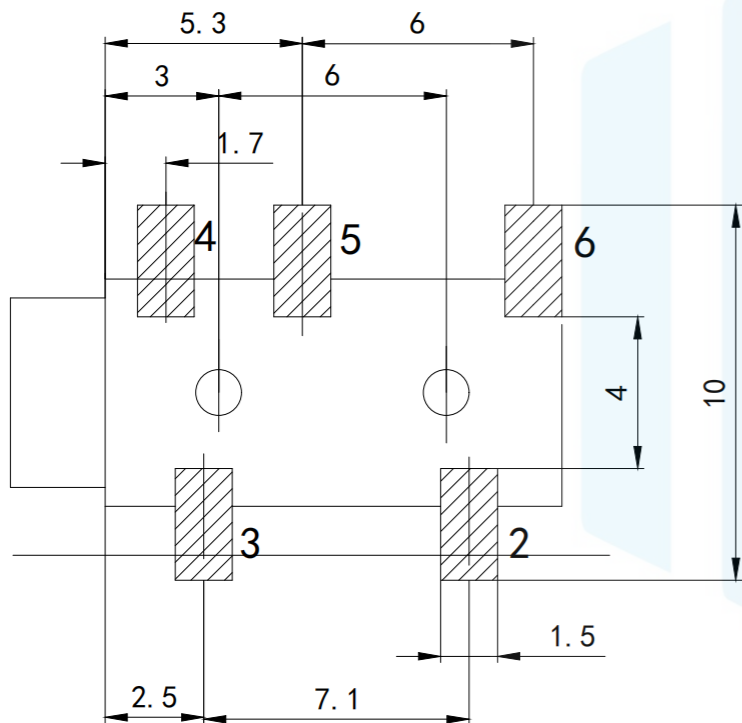


RoHS2.0
Compliant

P. C. B LAYOUT TOP VIEW



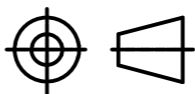
SPECIFICATION

1. Rating : DC 30V, 0.5A;
2. Contact resistance : <math><30\text{m}\Omega</math>;
3. Insulation resistance: >100M Ω ;
4. Withstand voltage : 500VAC ;
5. Insertion and extraction force: 3-20N;
6. life test : 5,000 cycles 。

TOLERANCE

X. XXX	± 0.05
X. XX	± 0.15
X. X	± 0.20
X.	± 0.30
ANGLE	$\pm 5.0^\circ$

PROTECTON



东莞市恒祺电子科技有限公司
Dongguan Hengqi Electronic Technology Co., Ltd

<https://www.hq-dz.com>

phone:15812872448

TITLE:

耳机插座

PART NO: PJ-327A

DRAWING NO: 14*6*4.4

DRAWN:

DATE:

18-10-08

UNIT:
mm

CHECKED:

DATE:

18-10-08

SCALE:
FULL

APPROVED:

DATE:

18-10-08

SIZE:
A4