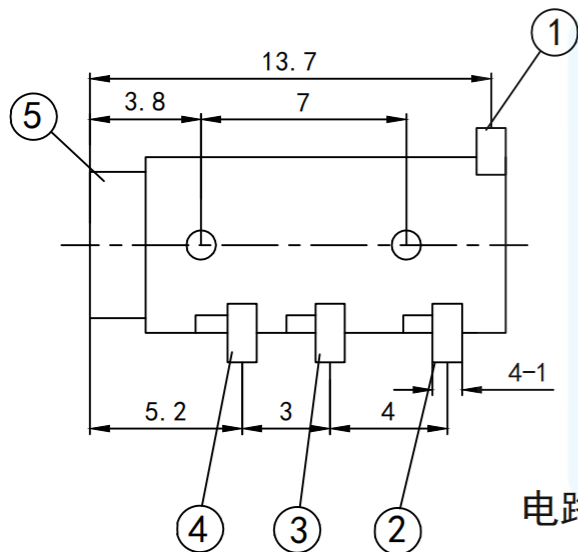
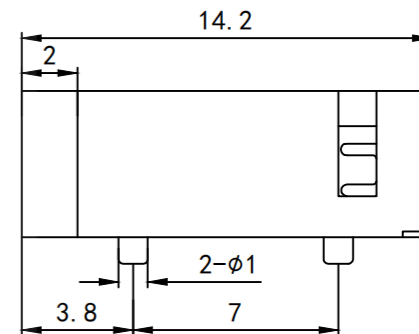
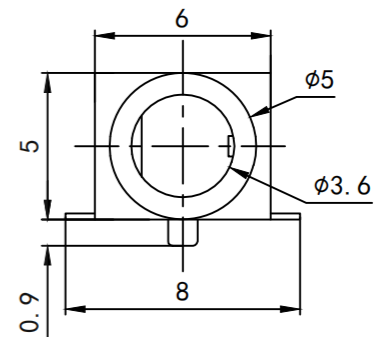
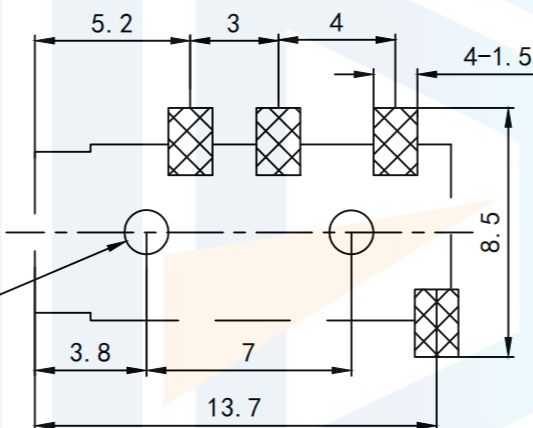
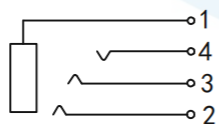


RoHS2.0
Compliant

印制板安装尺寸示意图



电路结构示意图

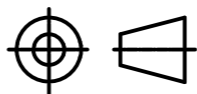


Technical requirement
 Use condition: $-40\sim 55^{\circ}\text{C}$
 Rated load: DC 30V 0.5A
 Contact resistance: $<0.03\Omega$
 Insulation resistance: $>100\text{M}\Omega$ DC250V
 Voltage: AC 500V (50Hz)/min
 Insertion and removal force: 3~20N
 Mechanical life: 5000 times

TOLERANCE

| | |
|--------|-------------------|
| X. XXX | ± 0.05 |
| X. XX | ± 0.15 |
| X. X | ± 0.20 |
| X. | ± 0.30 |
| ANGLE | $\pm 5.0^{\circ}$ |

PROTECTON



东莞市恒祺电子科技有限公司
 Dongguan Hengqi Electronic Technology Co., Ltd

<https://www.hq-dz.com>

phone: 15812872448

TITLE:

耳机插座

PART NO: PJ-320D

DRAWING NO: 14*6*5

DRAWN:

DATE:

18-10-08

UNIT:
mm

CHECKED:

DATE:

18-10-08

SCALE:
FULL

APPROVED:

DATE:

18-10-08

SIZE:
A4