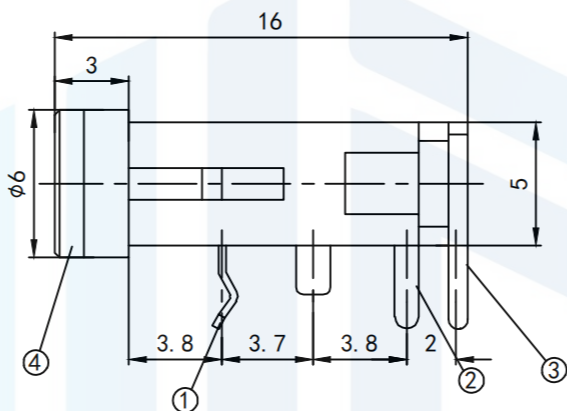
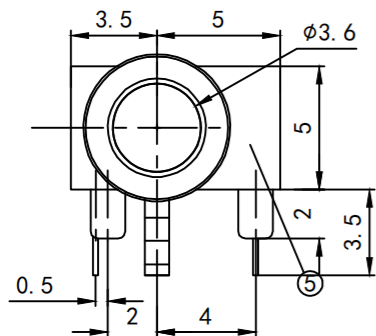
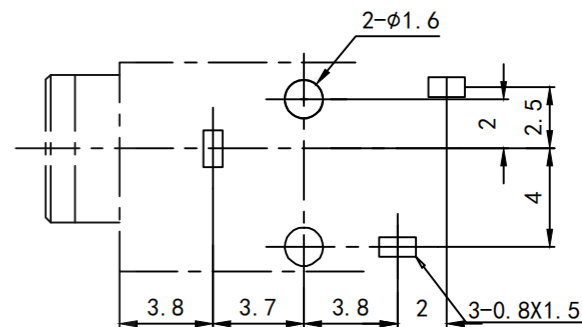


RoHS2.0
Compliant



印制线路板开孔尺寸



Main technical requirements

1. No linear tolerance:

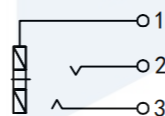
0.0-10.0mm ±0.10mm

10.0-20.0mm ±0.15mm

20.0-50.0mm soil 0.20mm

2, the appearance should be good, no corrosion, cracks, poor plating and other phenomena.

接点示意图



Main technical requirements

1. Rated electrical load: DC30V, 0.2A;

2. Contact resistance: <0.03Ω;

3. Insulation resistance: >100MΩ;

4. Withstand voltage :AC250V(50Hz)min;

5. Insert and dial force: 3-15N

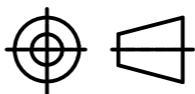
6. Life: 5,000 times.

5	基座	1	PBT	(黑)
4	轴套	1	H59黄铜棒	金
3	簧片(2)	1	锡青铜带T=0.3	锡铈
2	簧片(1)	1	北京锡青铜带T=0.25	锡铈
1	平片	1	H62黄铜带T=0.25	锡铈
序号	名称	数量	材料	序号

TOLERANCE

X. XXX	±0.05
X. XX	±0.15
X. X	±0.20
X.	±0.30
ANGLE	±5.0°

PROTECTON



东莞市恒祺电子科技有限公司
Dongguan Hengqi Electronic Technology Co., Ltd

<https://www.hq-dz.com>

phone:15812872448

TITLE:

耳机插座

PART NO: PJ-319

DRAWING NO: 16*8.5*5

DRAWN:

DATE:

18-10-08

UNIT:
mm

CHECKED:

DATE:

18-10-08

SCALE:
FULL

APPROVED:

DATE:

18-10-08

SIZE:
A4