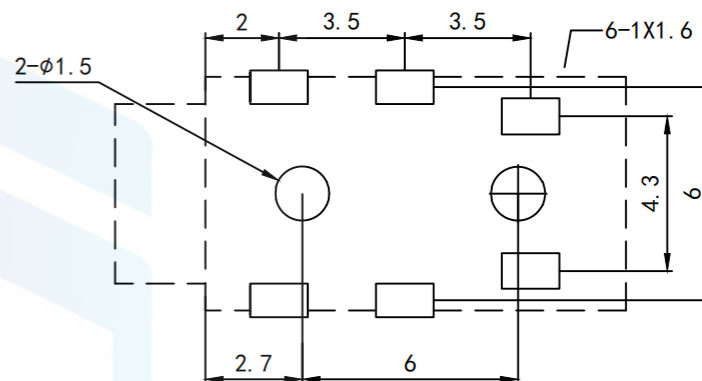
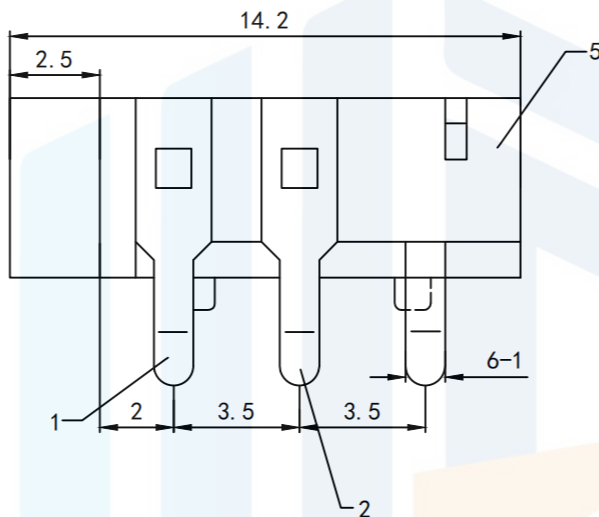
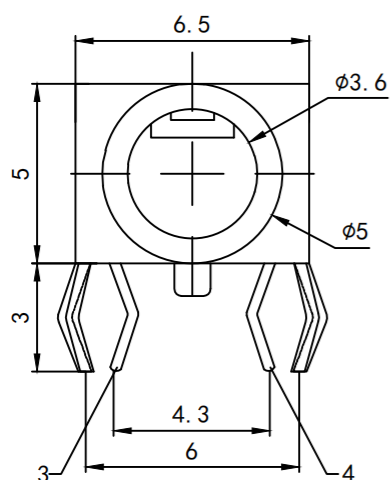
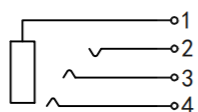


RoHS2.0
Compliant



电路结构示意图



5		基座	1PCS	PBT	
4		4号簧片	1PCS	磷铜 t=0.4	电镀: 锡
3		3号簧片	1PCS	磷铜 t=0.4	电镀: 锡
2		2号簧片	1PCS	磷铜 t=0.4	电镀: 锡
1		1号簧片	1PCS	磷铜 t=0.4	电镀: 锡
序号	零件图号或代号	名称	数量	材料	备注

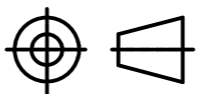
Main technical performance

1. Rated electrical load: 30V-0.5A;
2. Contact resistance: <math><0.03\Omega</math>;
3. Insulation resistance: >100M Ω
4. Withstand voltage: AC500V(50Hz)/min;
5. Insertion and withdrawal force: 3~20N;
6. Life: 5,000 times.

TOLERANCE

X. XXX	± 0.05
X. XX	± 0.15
X. X	± 0.20
X.	± 0.30
ANGLE	$\pm 5.0^\circ$

PROTECTON



东莞市恒祺电子科技有限公司

Dongguan Hengqi Electronic Technology Co., Ltd

<https://www.hq-dz.com>

phone:15812872448

TITLE:

耳机插座

PART NO: PJ-311S

DRAWING NO: 14.2*6.5*5

DRAWN:

DATE:

18-10-08

UNIT:
mm

CHECKED:

DATE:

18-10-08

SCALE:
FULL

APPROVED:

DATE:

18-10-08

SIZE:
A4