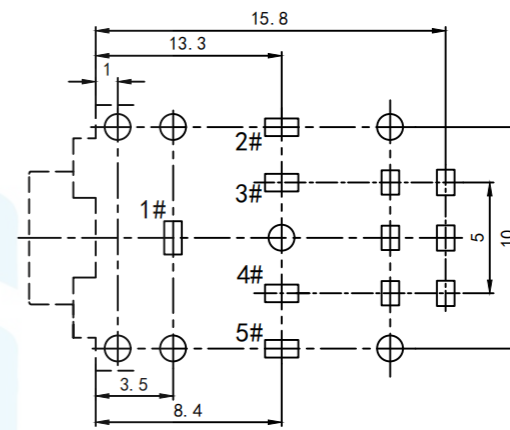
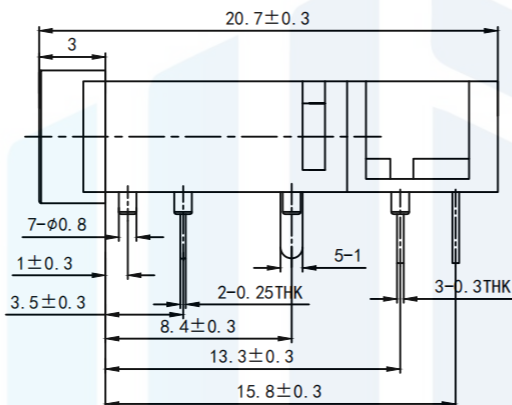
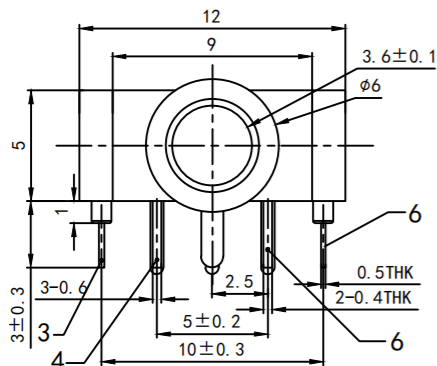
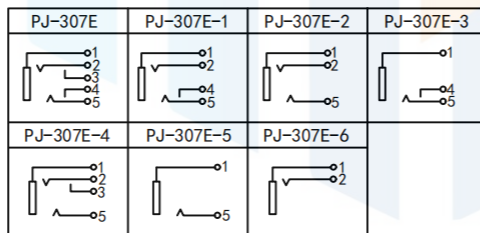
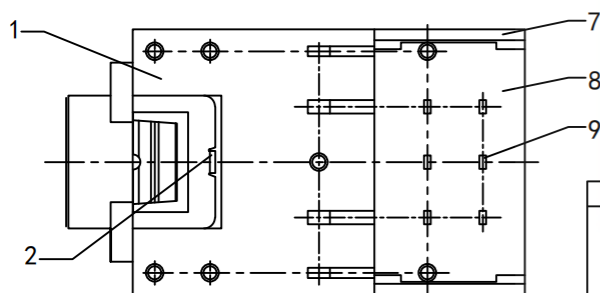


RoHS2.0
Compliant



P. C. B LAYOUT



SCHEMATIC

| | | | | |
|-----|------------------------|----------------|-----|-----------|
| 11 | CONTACT CLIP | PBS | 1 | Ag CLAD |
| 10 | SLIDER | NYLON | 1 | BLACK |
| 9 | TERMINAL | BRASS | 2 | Ag PLATED |
| 8 | BASE | PHENOLIC RESIN | 1 | YELLOW |
| 7 | HOUSING | NYLON | 1 | BLACK |
| 6 | PJ-307 5#SPRING | SUS | 1 | Ag PLATED |
| 5 | PJ-307G 4#DURVE PIECE | BRASS | 1 | Ag PLATED |
| 4 | PJ-307G 3#CURVE PIECE | BRASS | 1 | Ag PLATED |
| 3 | PJ-307G 2#SPRING | PBS | 1 | Ag PLATED |
| 2 | PJ-307G 1#CONTACT FOOT | PBS | 1 | Ag PLATED |
| 1 | PJ-307G CASE | PBT | 1 | BLACK |
| NO. | PART NAME | MATERIAL | QTY | FINISHING |

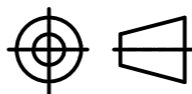
Main technical performance

1. Rated electrical load: 30V-0.5A;
2. Contact resistance: <math><0.03\Omega</math>;
3. Insulation resistance: >100M Ω
4. Withstand voltage: AC500V(50Hz)/min;
5. Insertion and withdrawal force: 3~20N;
6. Life: 5,000 times.

TOLERANCE

| | |
|--------|-----------------|
| X. XXX | ± 0.05 |
| X. XX | ± 0.15 |
| X. X | ± 0.20 |
| X. | ± 0.30 |
| ANGLE | $\pm 5.0^\circ$ |

PROTECTON



东莞市恒祺电子科技有限公司

Dongguan Hengqi Electronic Technology Co., Ltd

<https://www.hq-dz.com>

phone:15812872448

TITLE:

耳机插座

PART NO: PJ-307E

DRAWING NO: 20.7*12*5

DRAWN:

DATE:

18-10-08

UNIT:
mm

CHECKED:

DATE:

18-10-08

SCALE:
FULL

APPROVED:

DATE:

18-10-08

SIZE:
A4