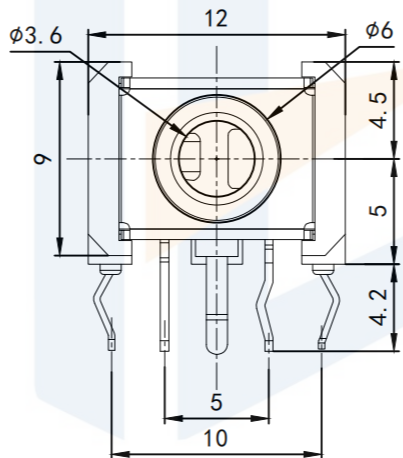
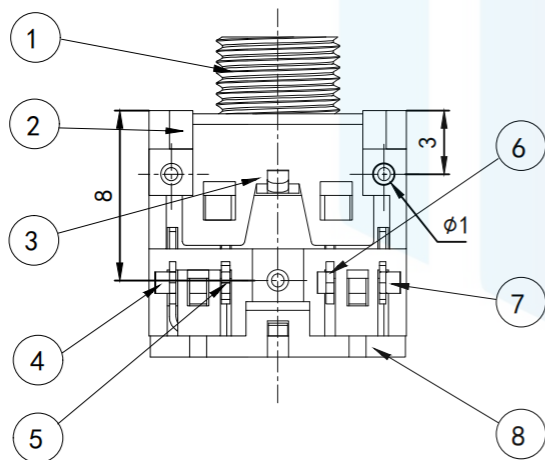
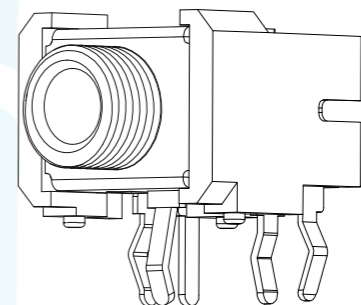
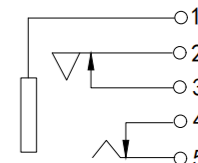
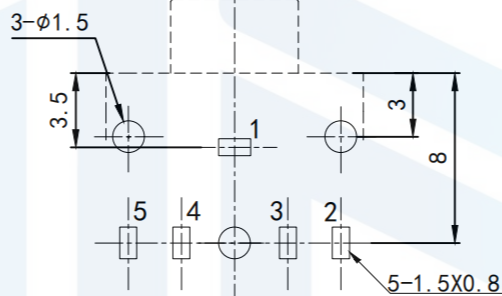
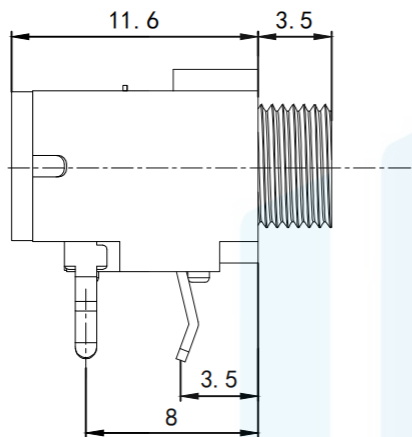


RoHS2.0
Compliant

线路板开孔尺寸

电路原理图



8	7.862.317	后盖	1	PA工程塑料	黑
7	7.730.306-1	5#簧片	1	QSn6.5-0.1锡青铜带 δ=0.3mm	D.L1Ag
6	7.740.306-1	4#定片	1	H62(Y)黄铜带 δ=0.4mm	D.L1Ag
5	7.740.306	3#定片	1	H62(Y)黄铜带 δ=0.4mm	D.L1Ag
4	7.730.306	2#簧片	1	QSn6.5-0.1锡青铜带 δ=0.3mm	D.L1Ag
3	7.750.306	1#接触片	1	08(Y)冷轧钢带 δ=0.45mm	D.Cu/Sn
2	7.810.306	基座	1	PA工程塑料	黑
1	8.223.306A	轴套	1	H59黄铜棒 M=6mm	D.Ni
序号	图号或代号	名称	数量	材料	备注

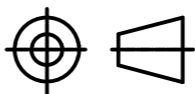
Technical requirements:

1. Rated electric load: 30V, 0.5A;
2. Contact resistance: $\leq 0.03\Omega$;
3. Insulation resistance: $\geq 100M\Omega$
4. Withstand voltage: AC250V (50HZ)min;
5. Insert and dial force: 3-15N;
6. Life: 5,000 times.

TOLERANCE

X. XXX	± 0.05
X. XX	± 0.15
X. X	± 0.20
X.	± 0.30
ANGLE	$\pm 5.0^\circ$

PROTECTON



东莞市恒祺电子科技有限公司
Dongguan Hengqi Electronic Technology Co., Ltd

<https://www.hq-dz.com>

phone:15812872448

TITLE:

耳机插座

PART NO: PJ-306M

DRAWING NO: 15*12*9.5

DRAWN:

DATE:

18-10-08

UNIT:
mm

CHECKED:

DATE:

18-10-08

SCALE:
FULL

APPROVED:

DATE:

18-10-08

SIZE:
A4