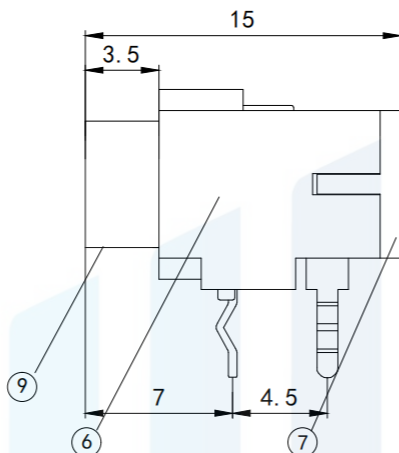
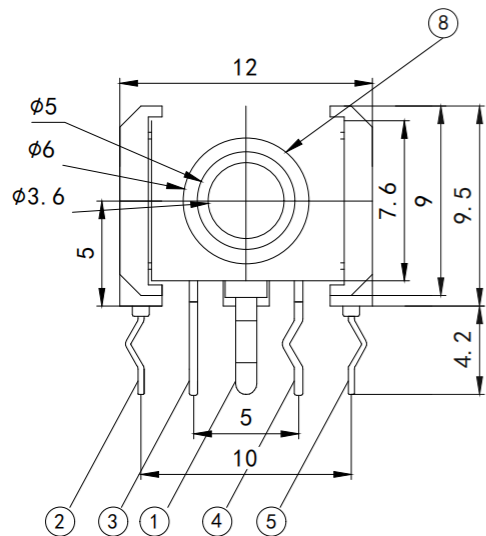
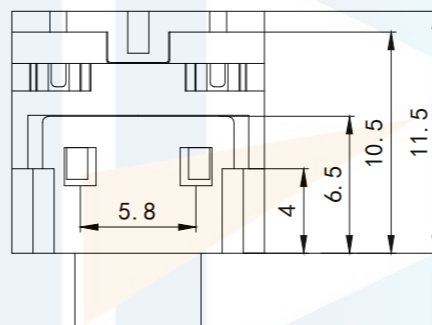


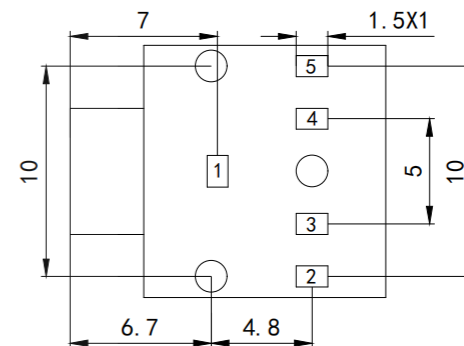
RoHS2.0
Compliant



SCHEMATIC



P. C. B LAYOUT TOPVIEW



9	PJ-306-7	胶套	1	PBT (粉红/粉绿)		
8	PJ-306-7	内铜套	1	黄铜		镀锡铟
7	PJ-306-7	后盖	1	PBT (黑色)		
6	PJ-306-6	基座	1	PBT (黑色)		
5	PJ-306-5	5#触片	1	65Mn/Ü	0.2T	镀锡铟
4	PJ-306-4	4#触片	1	黄铜	0.4T	镀锡铟
3	PJ-306-3	3#触片	1	黄铜	0.4T	镀锡铟
2	PJ-306-2	2#触片	1	65Mn/Ü	0.2T	镀锡铟
1	PJ-306-1	接地焊脚	1	黄铜	0.5T	镀锡铟
序号	产品编号	产品名称	数量	材料	规格	电镀

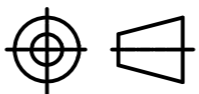
Main technical performance

1. Rated electrical load: 30V-0.5A;
2. Contact resistance: <math><0.03\Omega</math>;
3. Insulation resistance: >100M Ω
4. Withstand voltage: AC500V (50Hz)/min;
5. Insertion and withdrawal force: 3~20N;
6. Life: 5,000 times.

TOLERANCE

X. XXX	± 0.05
X. XX	± 0.15
X. X	± 0.20
X.	± 0.30
ANGLE	$\pm 5.0^\circ$

PROTECTON



东莞市恒祺电子科技有限公司

Dongguan Hengqi Electronic Technology Co., Ltd

<https://www.hq-dz.com>

phone: 15812872448

TITLE:

耳机插座

PART NO: PJ-306C

DRAWING NO: 15*12*9.5

DRAWN:

DATE:

18-10-08

UNIT:
mm

CHECKED:

DATE:

18-10-08

SCALE:
FULL

APPROVED:

DATE:

18-10-08

SIZE:
A4