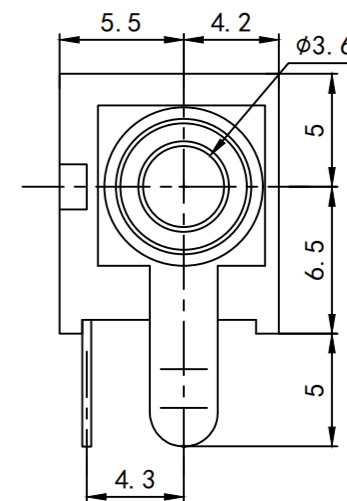
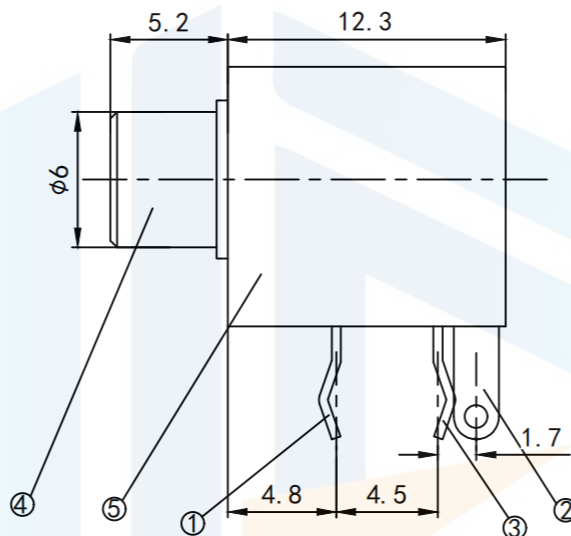
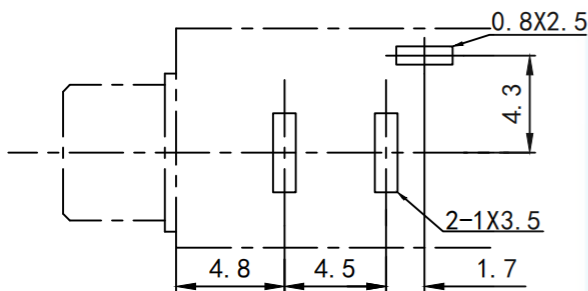


RoHS2.0  
Compliant

印制线路板开孔尺寸



Main technical requirements

1. No linear tolerance:

0.0-10.0mm ±0.10mm

10.0-20.0mm ±0.15mm

20.0-50.0mm ±0.20mm

2. Appearance should be good, no corrosion, cracks, poor plating and other phenomena.

Technical requirements:

1. Rated electric load: 30V, 0.2A;

2. Contact resistance: ≤0.03Ω;

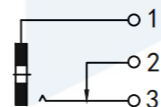
3. Insulation resistance: ≥100MΩ

4. Withstand voltage: AC250V (50HZ)min;

5. Insert and dial force: 3-15N;

6. Life: 5,000 times.

按点示意图

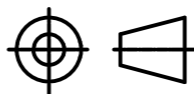


5	基座	1	ABS工程塑料	(黑)
4	轴套	1	H59黄铜棒	镍
3	簧片	1	锡青铜带T=0.2	锡铈
2	弯片	1	H62黄铜带T=0.35	铜锡
1	平片	1	H62黄铜带T=0.35	铜锡
序号	名称	数量	材料	镀涂

TOLERANCE

X. XXX	±0.05
X. XX	±0.15
X. X	±0.20
X.	±0.30
ANGLE	±5.0°

PROTECTON



东莞市恒祺电子科技有限公司

Dongguan Hengqi Electronic Technology Co., Ltd

<https://www.hq-dz.com>

phone:15812872448

TITLE:

耳机插座

PART NO: PJ-303

DRAWING NO: 17.5\*11.5\*9.7

DRAWN:

DATE:

18-10-08

UNIT:  
mm

CHECKED:

DATE:

18-10-08

SCALE:  
FULL

APPROVED:

DATE:

18-10-08

SIZE:  
A4