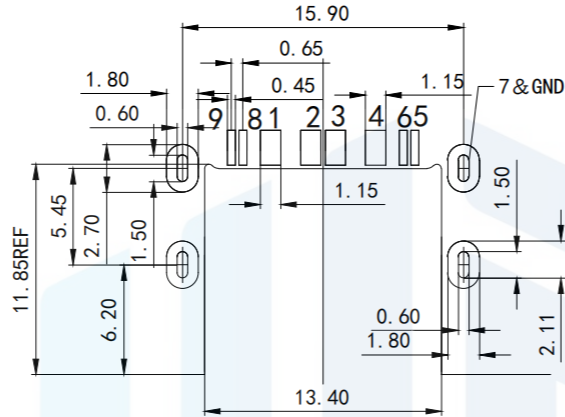
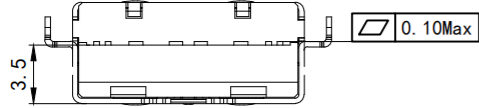
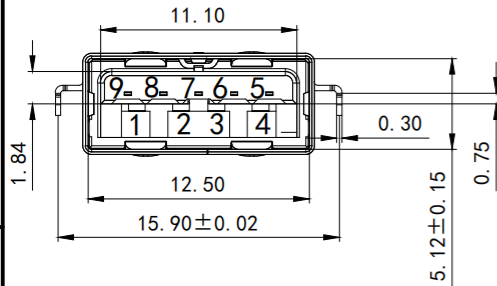
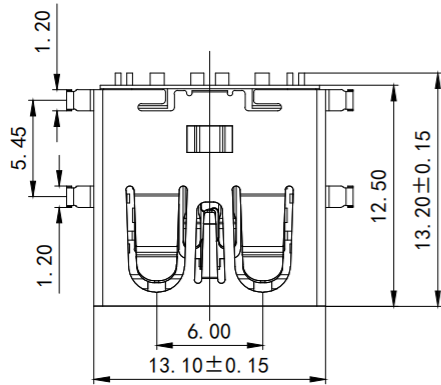
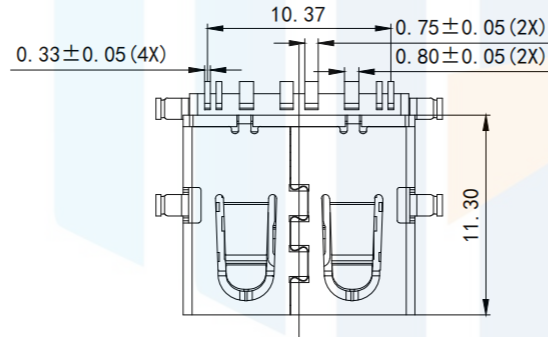


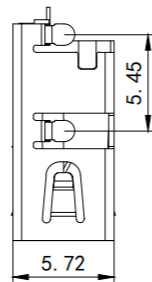
RoHS2.0
Compliant



TOLERANCE: ± 0.05 , RECOMMENDED PCB LAYOUT
(TOP VIEW)



Pin NUMBER	SIGNAL NAME
1	VBUS
2	D-
3	D+
4	GND
5	StdA_SSRX-
6	StdA_SSRX+
7	GND_DRAIN
8	StdA_SSTX-
9	StdA_SSTX+
Shell	Shield



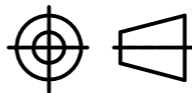
NOTE:

- MATERIAL:
 - INSULATOR: LCP+30%GF, UL94V-0, 1.2 CONTACT 1~4PIN: C5191R/H,
 - CONTACT 5~9PIN: C5191R/H,
 - SHELL: SUS201
- PLATING:
 - CONTACT: SELECTIVE GOLD PLATED ON CONTACT AREA 100u" Min. MATTE TIN PLATED ON SOLDER TAIL 50u" Min. NICKEL UNDER-PLATED
 - SHELL: 50u" Min, NICKEL PLATED OVERALL
- CHARACTERISTICS:
 - ELECTRICAL CHARACTERISTICS; CONTACT RESISTANCE: 30mΩ
MAXIMUM CONTACT CURRENT RATING: 3A DIELECTRIC WITHSTANDING VOLTAGE: 500 V R. M. S. INSULATION RESISTANCE 1000 MEGOHMS
MIN OPERATING TEMPERATURE: -25°C? +85°C
 - MECHANICAL: MATING FORCE: 3.57Kg. Max. UNMATING FORCE: 1.02Kg. Min.
- RoHS COMPLIANT
- WAVE SOLDER: THE CONNECTOR SHALL BE MOUNTED ON THE PCB. THE TEMPERATURE OF THE SOLDER SHALL BE 270 ± 5 C AND IMMERSION DURATION 5 SECONDS.

TOLERANCE

X. XXX	± 0.05
X. XX	± 0.15
X. X	± 0.20
X.	± 0.30
ANGLE	$\pm 5.0^\circ$

PROTECTON



东莞市恒祺电子科技有限公司

Dongguan Hengqi Electronic Technology Co., Ltd

<https://www.hq-dz.com>

phone: 15812872448

TITLE:

USB3.1 A/F 沉板3.5直边
4定位脚外移(10GB)

PART NO: USB3.1-V174

DRAWING NO: 12.5*13.1*5.72

DRAWN:

CHECKED:

APPROVED:

DATE:

DATE:

DATE:

18-10-08

18-10-08

18-10-08

UNIT:
mm

SCALE:
FULL

SIZE:
A4