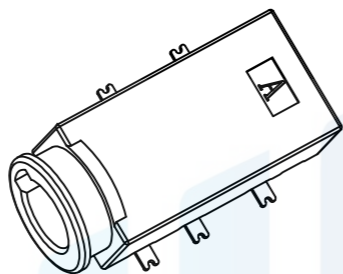
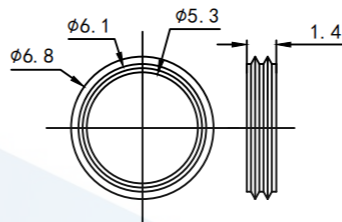


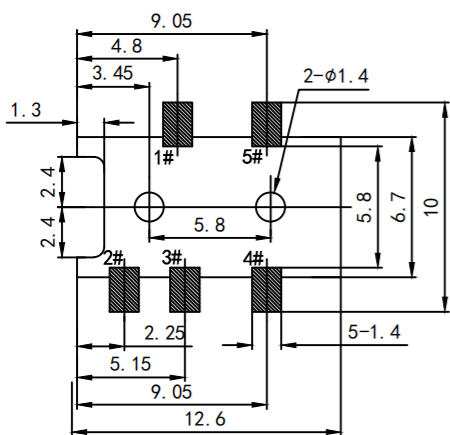
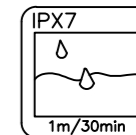
RoHS2.0
Compliant



3D VIEW



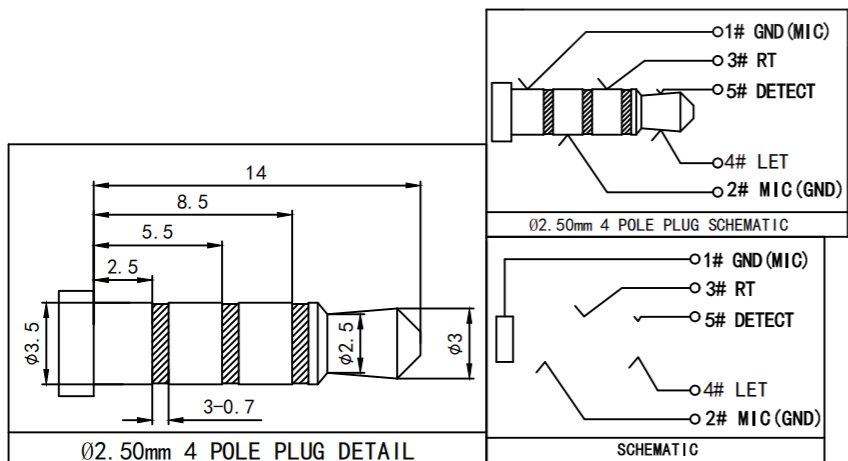
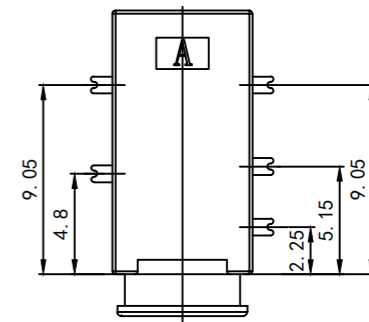
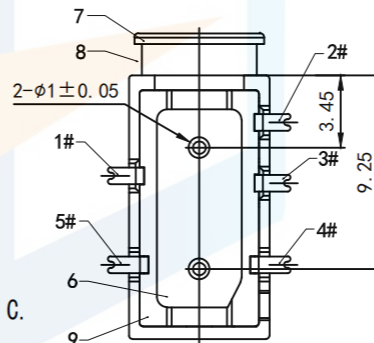
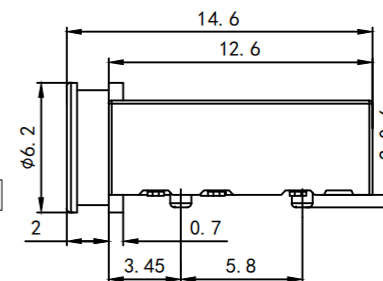
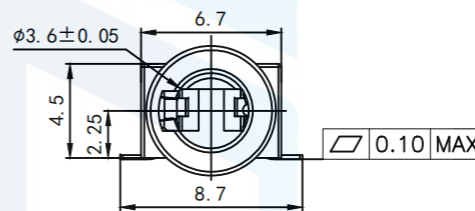
BLACK WATERPROOF RING



PCB LAYOUT (TOP VIEW)
TOLERANCE: ± 0.05

NOTES

1. CURRENT RATING: 1A.
2. CONTACT RESISTANCE: 100mΩ MAX.
3. INSULATION RESISTANCE: 100MΩ MIN.
4. DIELECTRIC WITHSTANDING: 500V AC MIN.
5. DURABILITY: 5000 CYCLES MIN.
6. CONNECTOR MATING FORCES: 3~30N.
7. CONNECTOR UNMATING FORCES: 3~30NX.
8. SALT SPRAY: 24HOUR
9. WATERPROOF LEVEL: IP67.
10. OPERATING TEMPERATURE: -25° C TO +85° C.



TOLERANCE	X. XXX	± 0.05		东莞市恒祺电子科技有限公司 Dongguan Hengqi Electronic Technology Co., Ltd			
	X. XX	± 0.15		https://www.hq-dz.com phone: 15812872448			
PROTECTON	X. X	± 0.20	TITLE: 防水耳机插座	PART NO: PJ-1305			
	X.	± 0.30		DRAWING NO: 14.6*6.7*4.5			
	ANGLE	$\pm 5.0^\circ$	DRAWN:	DATE:	18-10-08	UNIT:	mm
			CHECKED:	DATE:	18-10-08	SCALE:	FULL
			APPROVED:	DATE:	18-10-08	SIZE:	A4