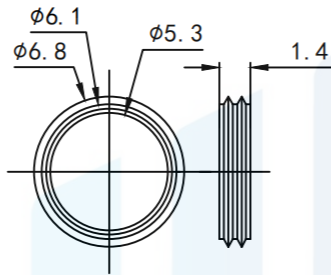
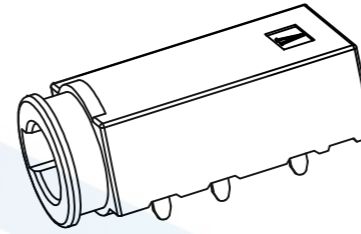
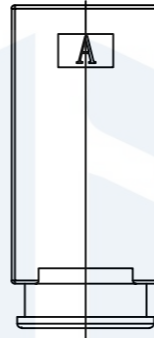


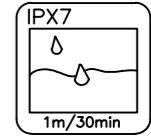
RoHS2.0
Compliant



BLACK WATERPROOF RING

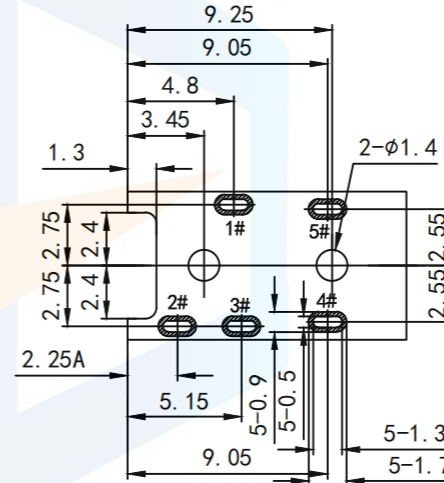
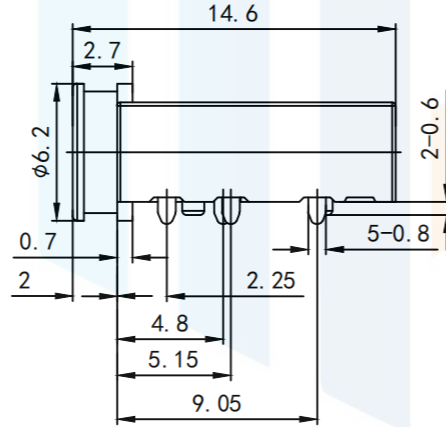


3D VIEW

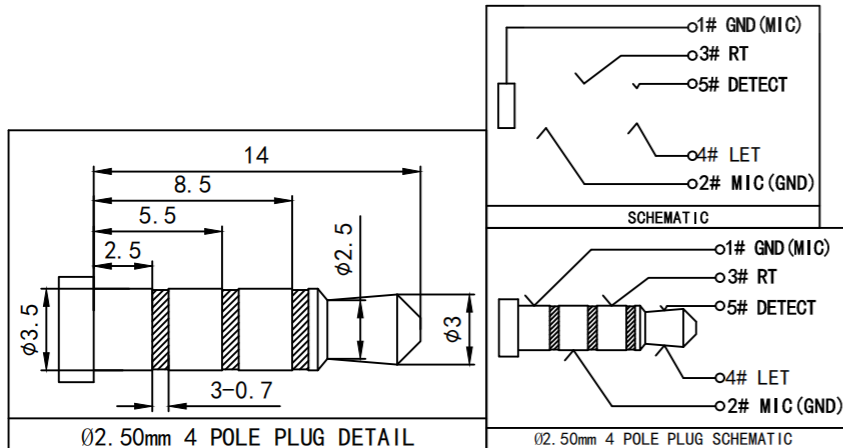
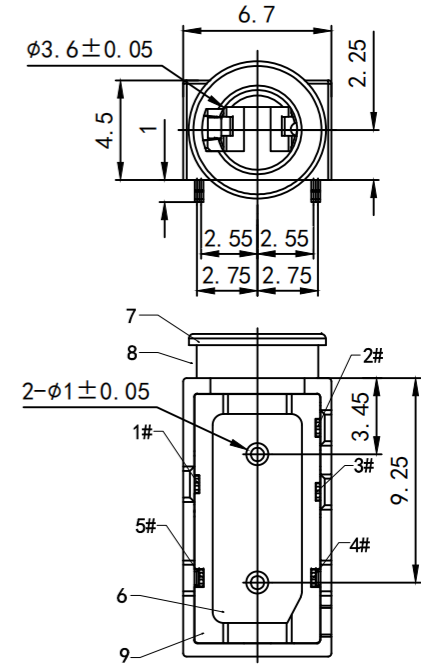


NOTES

1. CURRENT RATING: 1A.
2. CONTACT RESISTANCE: 100mΩ MAX.
3. INSULATION RESISTANCE: 100MΩ MIN.
4. DIELECTRIC WITHSTANDING: 500V AC MIN.
5. DURABILITY: 5000 CYCLES MIN.
6. CONNECTOR MATING FORCES: 3~30N.
7. CONNECTOR UNMATING FORCES: 3~30NX.
8. SALT SPRAY: 24HOUR
9. WATERPROOF LEVEL: IP67.
10. OPERATING TEMPERATURE: -25 . C TO +85 . C.



PCB LAYOUT (TOP VIEW)
TOLERANCE: ±0.05



TOLERANCE			东莞市恒祺电子科技有限公司 Dongguan Hengqi Electronic Technology Co., Ltd			
X. XXX	±0.05					
X. XX	±0.15	https://www.hq-dz.com			phone:15812872448	
X. X	±0.20	TITLE: 防水耳机插座		PART NO: PJ-1304		
X.	±0.30			DRAWING NO: 14.6*6.7*4.5		
ANGLE	±5.0°			DRAWN:	DATE: 18-10-08	UNIT: mm
				CHECKED:	DATE: 18-10-08	SCALE: FULL
				APPROVED:	DATE: 18-10-08	SIZE: A4