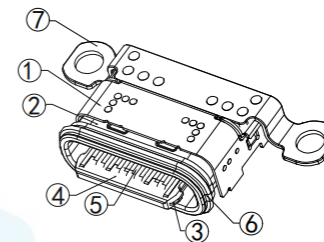
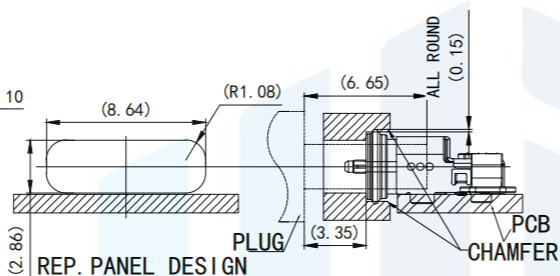
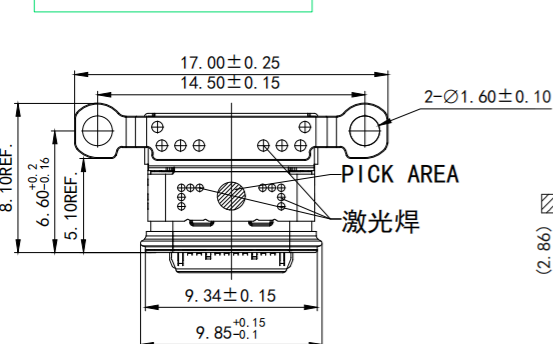
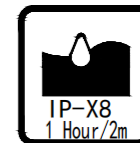
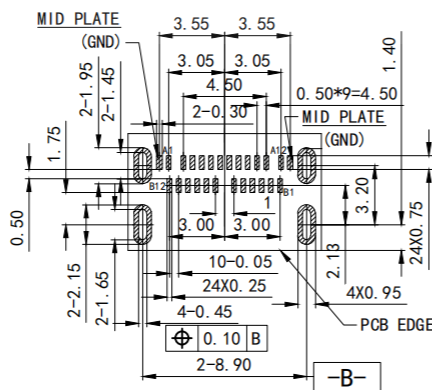
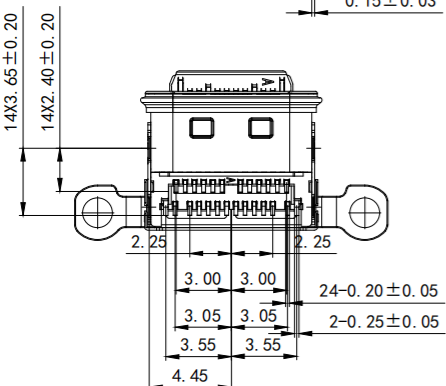
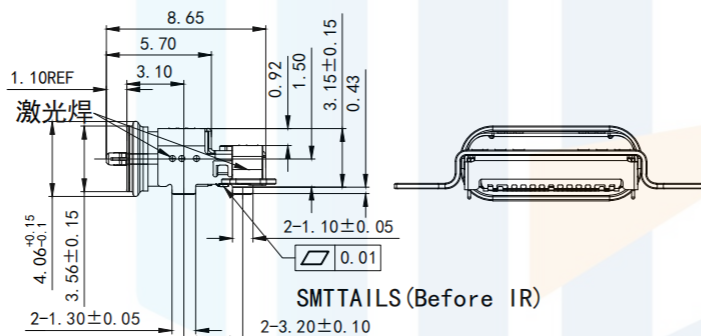
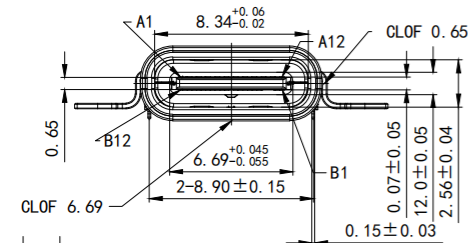


RoHS2.0
Compliant



NOTES:

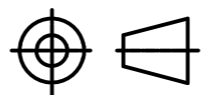
- ELECTRICAL CHARACTERISTICS:
 - CONTACT CURRENT RATING:5.0A FOR VBUS PIN AND ITS CORRESPONDING GND PIN.
 - CONTACT RESISTANCE:30 MILLIOHMS MAX FOR VBUS AND GND CONTACTS.40 MILLIOHMS MAX FOR ALL OTHER CONTACTS.
 - DIELECTRIC WITHSTANDING VOLTAGE:100 VRMS AC MIN.
 - INSULATION RESISTANCE:100 MEGOHMS MIN.
- MECHANICAL CHARACTERISTICS:
 - CONNECTOR INSERTION FORCE:5~20N. AT A MAXIMUN RATE OF 12.5MM PER MINUTE.
 - CONNECTOR EXTRACTION FORCE:8~20N AT A MAXIMUN RATE OF 12.5MM PER MINUTE. 6~20N AFTER DURABILITY TEST.
 - DURABILITY:10000 CYCLES.
 - OPERATING TEMPERATURE: -55°C TO +85°C
- SALT SPRAY:48HOURS.
- DIMENSIONS ARE IN MILLIMETERS, BRACKETED DIMENSIONS ARE INCHES EQUIVALENTS.
- RECOMMENED PROCESS: IR REFLOW 260°C, 3~5SECONDS.
- THE CONNECTOR IS ROHS COMPLIANT AND HALOGEN FREE COMPLIAN.



RECOMMENDED PCB LAYOUT
(TOLERANCE: ±0.05)

TOLERANCE	
X. XXX	±0.05
X. XX	±0.15
X. X	±0.20
X.	±0.30
ANGLE	±5.0°

PROTECTON



东莞市恒祺电子科技有限公司
Dongguan Hengqi Electronic Technology Co., Ltd

<https://www.hq-dz.com> phone:15812872448

TITLE: TYPE C 24PIN板上带双耳 舌头外露1.1	PART NO:TYPE-C24P-FS093
DRAWING NO:9.85*4.06*8.65	

DRAWN:	DATE: 18-10-08	UNIT: mm
CHECKED:	DATE: 18-10-08	SCALE: FULL
APPROVED:	DATE: 18-10-08	SIZE: A4