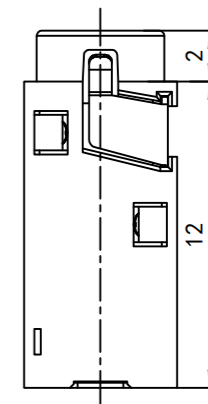
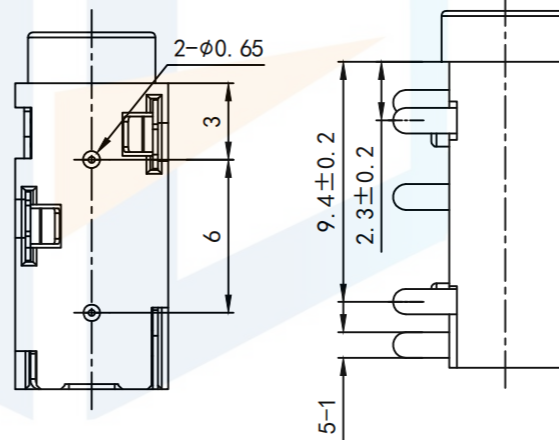
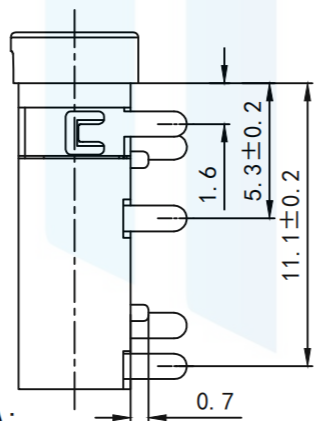
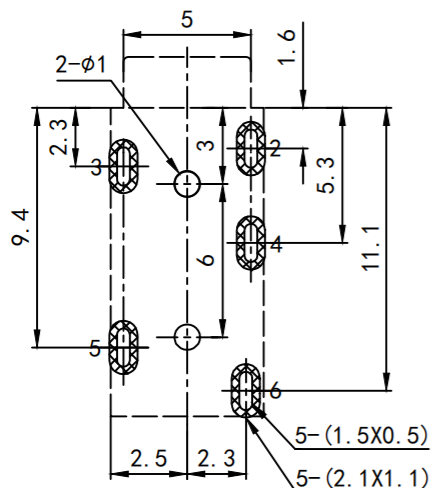
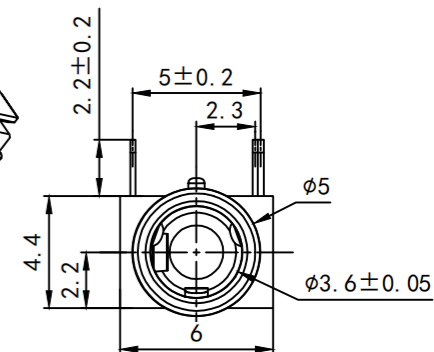
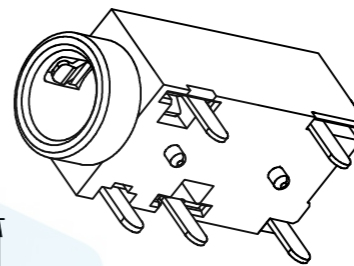
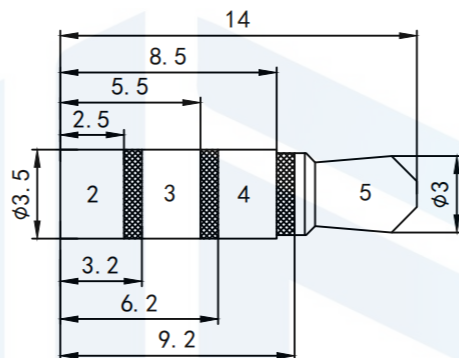
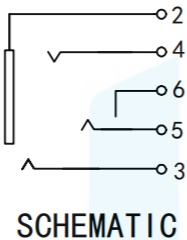
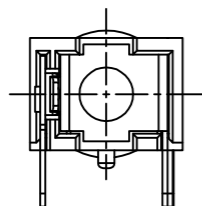


RoHS2.0  
Compliant



Main technical performance

1. Rated electrical load: 30V 0.5A;
2. Contact resistance: <0.03Ω;
3. Insulation resistance: >100MΩ;
4. Voltage: AC250V (50Hz)nin;
5. Insertion and withdrawal force: 5-15N;
6. Life: 5000 times

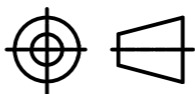
Main technical requirements

1. No linear tolerance:  
0.0-10.0mm ± 0.10mm  
10.0-20.0mm ± 0.15mm  
20.0-50.0mm ± 0.20mm
2. Appearance should be good, no corrosion, cracks, poor plating and other phenomena.

TOLERANCE

X. XXX	±0.05
X. XX	±0.15
X. X	±0.20
X.	±0.30
ANGLE	±5.0°

PROTECTON



东莞市恒祺电子科技有限公司  
Dongguan Hengqi Electronic Technology Co., Ltd

<https://www.hq-dz.com>

phone:15812872448

TITLE:

耳机插座

PART NO: PJ-327G

DRAWING NO: 14\*5\*4.4

DRAWN:

CHECKED:

APPROVED:

DATE:

18-10-08

UNIT:  
mm

DATE:

18-10-08

SCALE:  
FULL

DATE:

18-10-08

SIZE:  
A4