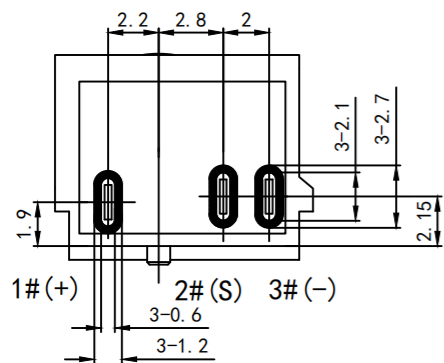
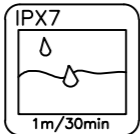
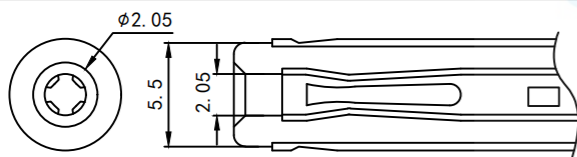


RoHS2.0  
Compliant

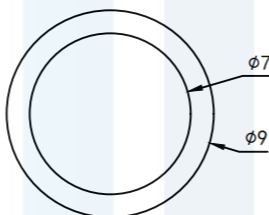
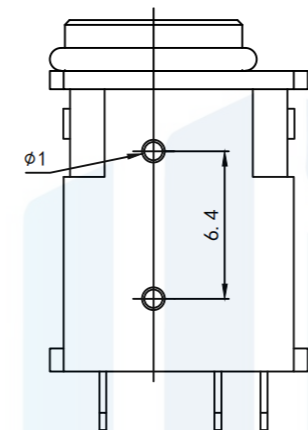
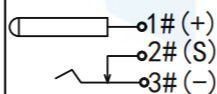


PCB LAYOUT (TOP VIEW)  
TOLERANCE:  $\pm 0.05$

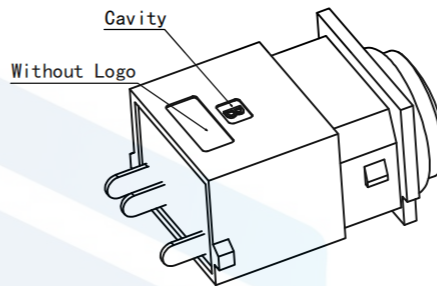
Not to install the waterproof ring shipment



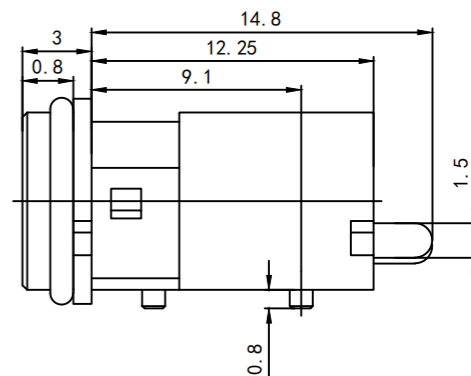
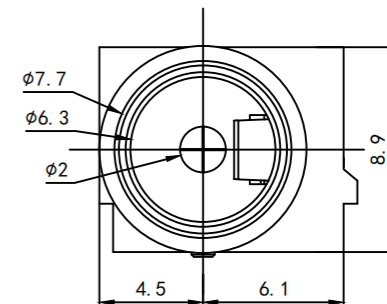
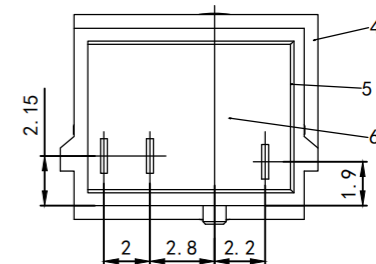
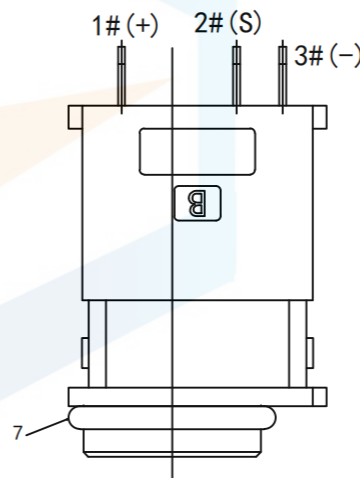
Circuit Diagram



WHITE WATERPROOF RING



3D VIEW



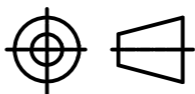
NOTES

1. CURRENT RATING: 24V & 5A MAX.
2. CONTACT RESISTANCE: 50mΩ MAX.
3. INSULATION RESISTANCE: 100MΩ MIN.
4. DIELECTRIC WITHSTANDING: 500V AC MIN.
5. DURABILITY: 5000 CYCLES MIN.
6. CONNECTOR MATING FORCES: 3N MIN.
7. CONNECTOR UNMATING FORCES: 35N MAX.
8. OPERATING TEMPERATURE:  $-25^{\circ}\text{C}$  TO  $+85^{\circ}\text{C}$ .
9. WATER PROOFNESS: THIS PRODUCT IS BASED ON IPX7.

TOLERANCE

X. XXX	$\pm 0.05$
X. XX	$\pm 0.15$
X. X	$\pm 0.20$
X.	$\pm 0.30$
ANGLE	$\pm 5.0^{\circ}$

PROTECTON



东莞市恒祺电子科技有限公司  
Dongguan Hengqi Electronic Technology Co., Ltd

<https://www.hq-dz.com>

phone: 15812872448

TITLE:

防水DC电源插座

PART NO: DC-1108A

DRAWING NO: 17.8\*10.7\*8.9

DRAWN:

CHECKED:

APPROVED:

DATE:

18-10-08

UNIT:  
mm

DATE:

18-10-08

SCALE:  
FULL

DATE:

18-10-08

SIZE:  
A4