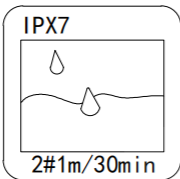
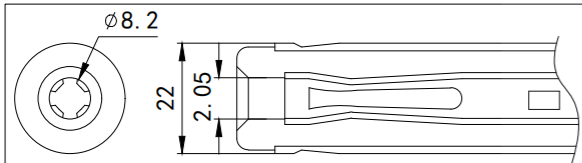


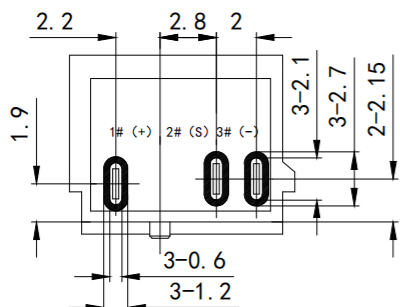
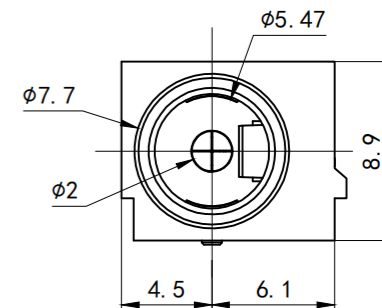
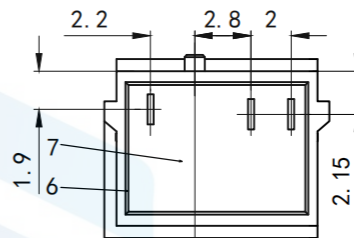
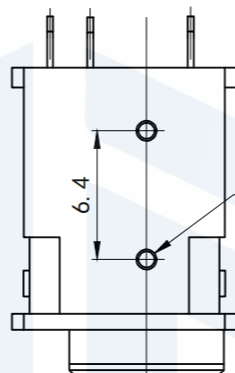
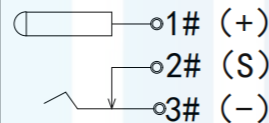
RoHS2.0
Compliant



Not to install the waterproof ring shipment

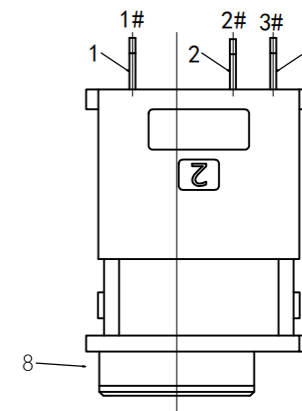
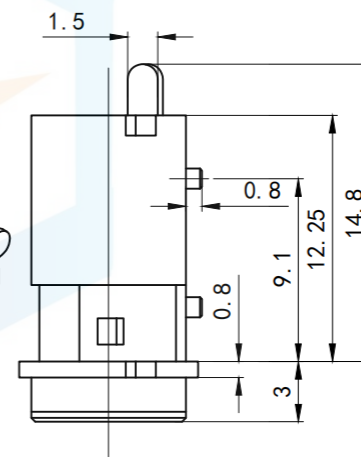
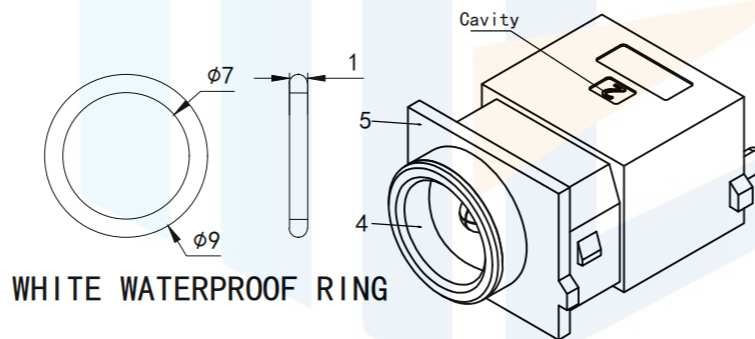


Circuit Diagram



PCB LAYOUT (TOP VIEW)

TOLERANCE: ±0.05



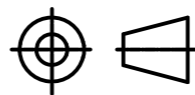
NOTES

- CURRENT RATING: 24V & 3A MAX.
- CONTACT RESISTANCE: 50mΩ MAX.
- INSULATION RESISTANCE: 100MΩ MIN.
- DIELECTRIC WITHSTANDING: 500V AC MIN.
- DURABILITY: 5000 CYCLES MIN.
- CONNECTOR MATING FORCES: 3N MIN.
- CONNECTOR UNMATING FORCES: 35N MAX.
- OPERATING TEMPERATURE: -25° C TO +85° C.
- WATER PROOFNESS: THIS PRODUCT IS BASED ON IPX7.

TOLERANCE

X. XXX	±0.05
X. XX	±0.15
X. X	±0.20
X.	±0.30
ANGLE	±5.0°

PROTECTON



东莞市恒祺电子科技有限公司

Dongguan Hengqi Electronic Technology Co., Ltd

<https://www.hq-dz.com>

phone: 15812872448

TITLE:

防水DC电源插座

PART NO: DC-1108

DRAWING NO: 15.25*10.7*8.9

DRAWN:

CHECKED:

APPROVED:

DATE:

DATE:

DATE:

18-10-08

18-10-08

18-10-08

UNIT:
mm

SCALE:
FULL

SIZE:
A4