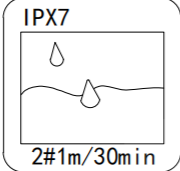
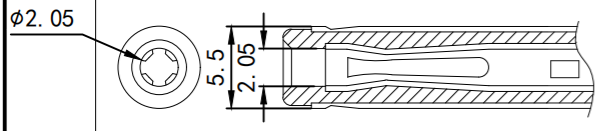


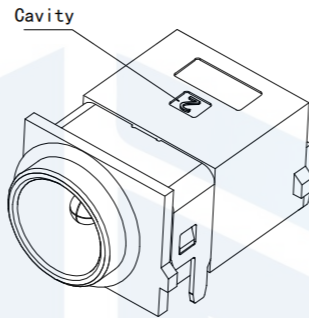
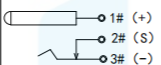
RoHS2.0  
Compliant



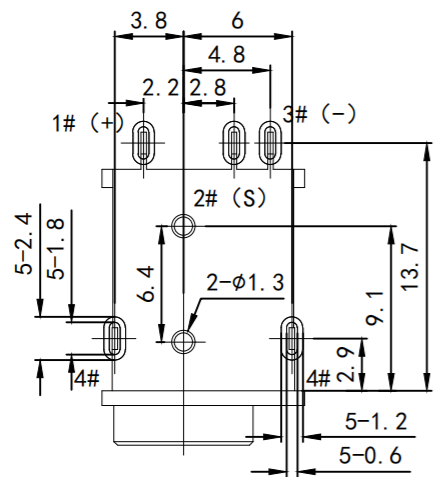
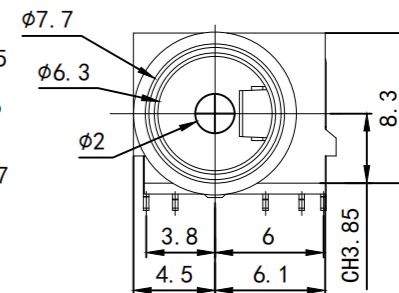
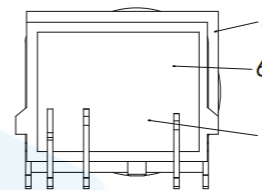
Not to install the waterproof ring shipment



Circuit Diagram

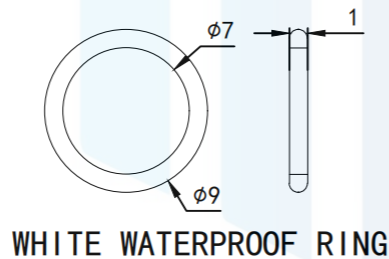


3D VIEW

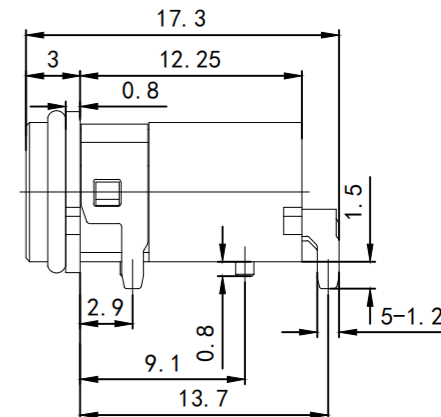
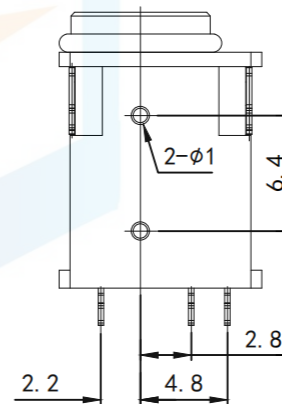
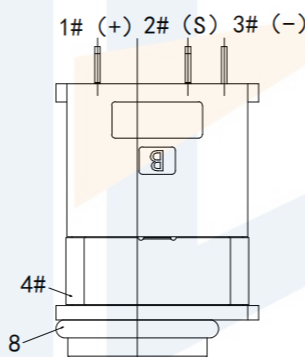


PCB LAYOUT (TOP VIEW)

TOLERANCE:  $\pm 0.05$



WHITE WATERPROOF RING



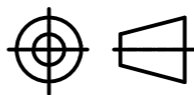
NOTES

- CURRENT RATING: 24V & 3A MAX.
- CONTACT RESISTANCE: 50mΩ MAX.
- INSULATION RESISTANCE: 100MΩ MIN.
- DIELECTRIC WITHSTANDING: 500V AC MIN.
- DURABILITY: 5000 CYCLES MIN.
- CONNECTOR MATING FORCES: 3N MIN.
- CONNECTOR UNMATING FORCES: 35N MAX.
- OPERATING TEMPERATURE:  $-25^{\circ}\text{C}$  TO  $+85^{\circ}\text{C}$ .
- WATER PROOFNESS: THIS PRODUCT IS BASED ON IPX7.

TOLERANCE

X. XXX	$\pm 0.05$
X. XX	$\pm 0.15$
X. X	$\pm 0.20$
X.	$\pm 0.30$
ANGLE	$\pm 5.0^{\circ}$

PROTECTON



东莞市恒祺电子科技有限公司  
Dongguan Hengqi Electronic Technology Co., Ltd

<https://www.hq-dz.com>

phone: 15812872448

TITLE:

防水DC电源插座

PART NO: DC-1107

DRAWING NO: 15.25\*10.7\*8.3

DRAWN:

DATE:

18-10-08

UNIT:  
mm

CHECKED:

DATE:

18-10-08

SCALE:  
FULL

APPROVED:

DATE:

18-10-08

SIZE:  
A4