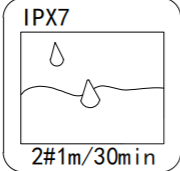
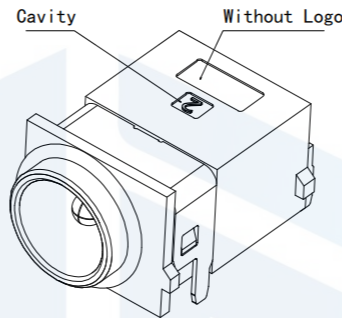
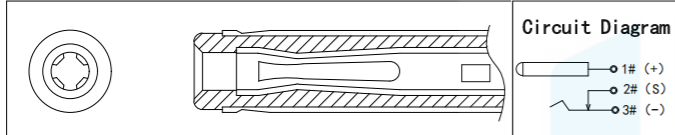


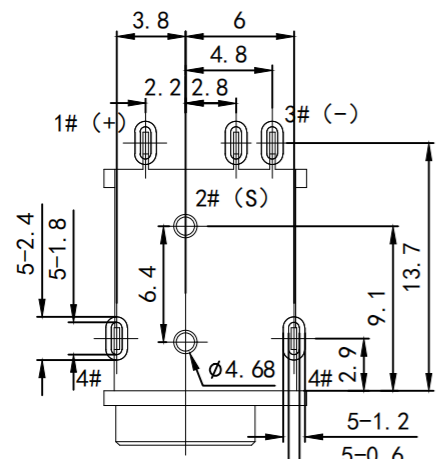
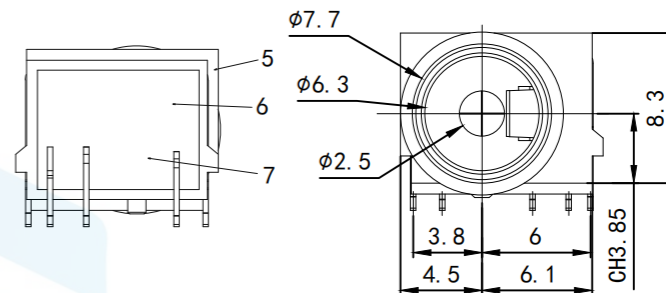
RoHS2.0
Compliant



Not to install the waterproof ring shipment

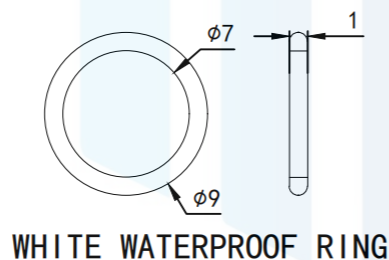


3D VIEW

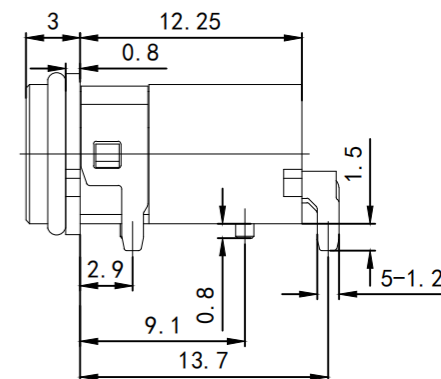
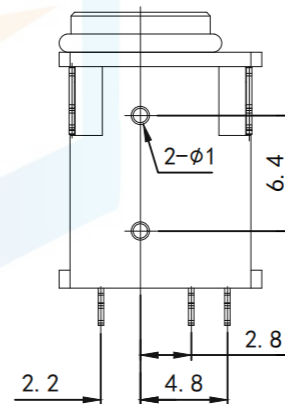
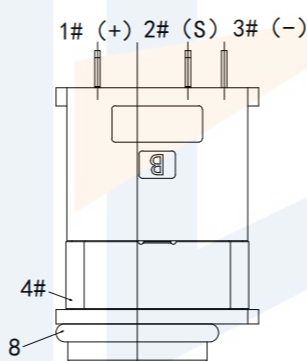


PCB LAYOUT (TOP VIEW)

TOLERANCE: ± 0.05



WHITE WATERPROOF RING



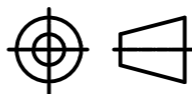
NOTES

- CURRENT RATING: 24V & 3A MAX.
- CONTACT RESISTANCE: 50mΩ MAX.
- INSULATION RESISTANCE: 100MΩ MIN.
- DIELECTRIC WITHSTANDING: 500V AC MIN.
- DURABILITY: 5000 CYCLES MIN.
- CONNECTOR MATING FORCES: 3N MIN.
- CONNECTOR UNMATING FORCES: 35N MAX.
- OPERATING TEMPERATURE: -25°C TO $+85^{\circ}\text{C}$.
- WATER PROOFNESS: THIS PRODUCT IS BASED ON IPX7.

TOLERANCE

X. XXX	± 0.05
X. XX	± 0.15
X. X	± 0.20
X.	± 0.30
ANGLE	$\pm 5.0^{\circ}$

PROTECTON



东莞市恒祺电子科技有限公司
Dongguan Hengqi Electronic Technology Co., Ltd

<https://www.hq-dz.com>

phone: 15812872448

TITLE:
防水DC电源插座

PART NO: DC-1106

DRAWING NO: 15.25*10.7*8.3

DRAWN:

DATE: 18-10-08

UNIT:
mm

CHECKED:

DATE: 18-10-08

SCALE:
FULL

APPROVED:

DATE: 18-10-08

SIZE:
A4