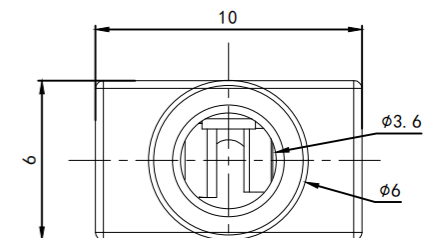
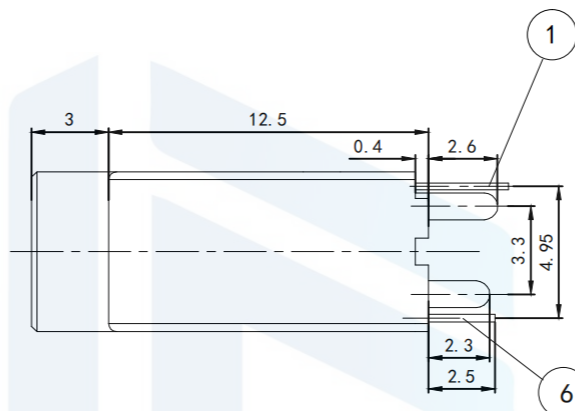
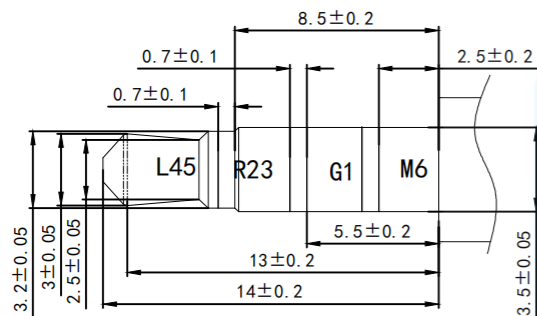
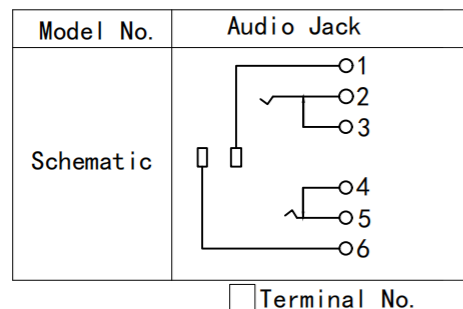
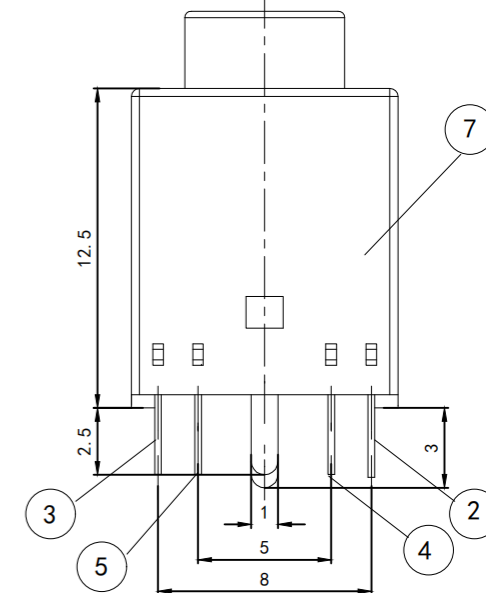
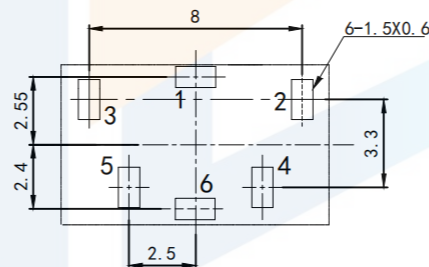


RoHS2.0  
Compliant



RECOMMENDED PCB LAYOUT  
TOP VIEW (TOLERANCE: ±0.05)



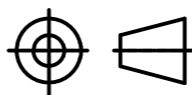
Technical requirement

- 1, insertion force: 3~30N(0.3~3.0kgf)
- 2, drawing power: 3~30N(0.3~3.0kgf)
- 3, contact resistance: <50mΩ
- 4, insulation resistance: >100MQ DC 500V
- 5, voltage resistance: AC 500V Inin no flare and breakdown
- 6, life: 5000 10~20 times /min
- 7, rated load :DC 12V 1A
- 8, applicable temperature range :-25~85° C
9. Recommended plug:

TOLERANCE

X. XXX	±0.05
X. XX	±0.15
X. X	±0.20
X.	±0.30
ANGLE	±5.0°

PROTECTON



东莞市恒祺电子科技有限公司

Dongguan Hengqi Electronic Technology Co., Ltd

<https://www.hq-dz.com>

phone:15812872448

TITLE:

耳机插座

PART NO: PJ-358-6P正功能

DRAWING NO: 12.5\*10\*6

DRAWN:

DATE:

18-10-08

UNIT:  
mm

CHECKED:

DATE:

18-10-08

SCALE:  
FULL

APPROVED:

DATE:

18-10-08

SIZE:  
A4